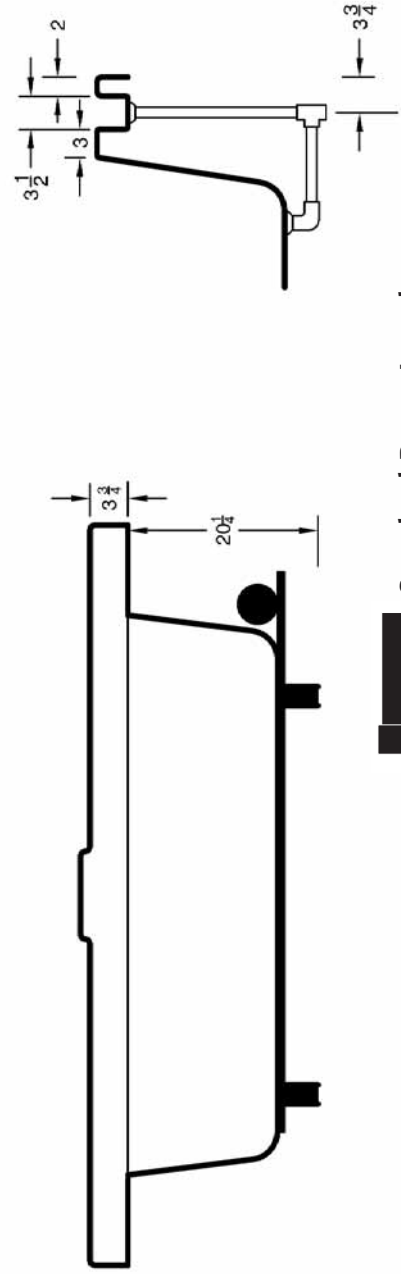
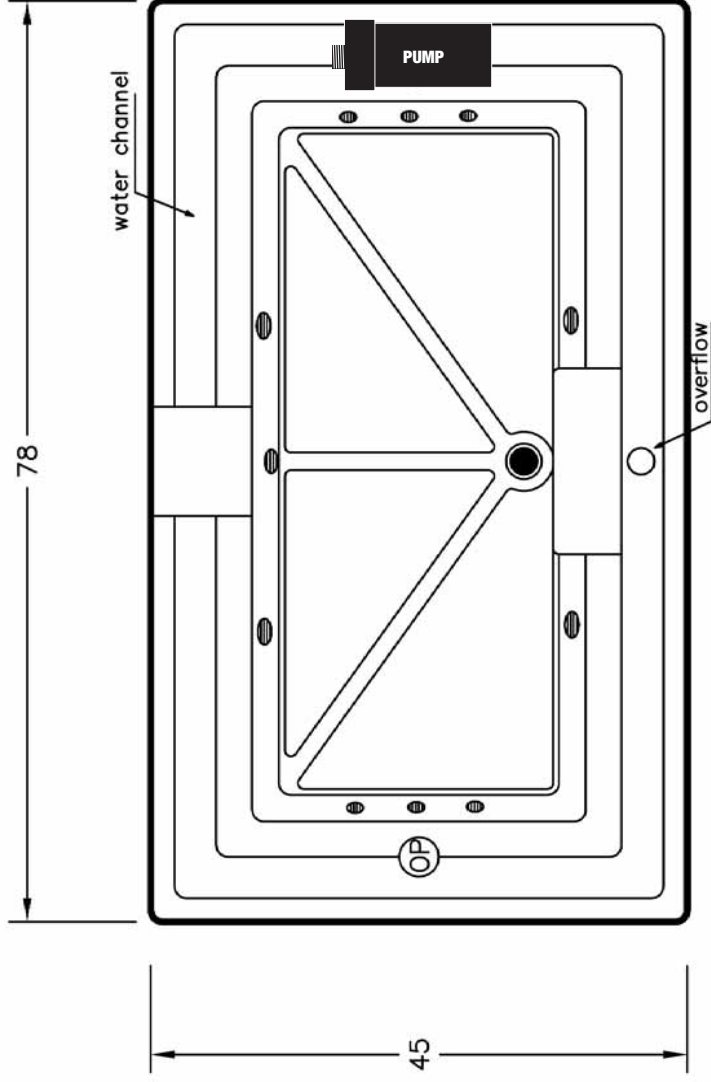


tranquility collection SPECIFICATIONS

4678MWT-La Mer



Standard Pump Location

- All dimensions are plus or minus 1/32" (maximum tolerance)
- Vita Bath reserves the right to make changes without notice.
- Copyright, all rights reserved.

MODEL: 4678MIWT

SIZE: 46" X 78"

EST. BOXED WEIGHT: 160 lbs. (Tub Only)

EST. BOXED WEIGHT: 220 lbs (Whirlpool)

EST. BOXED WEIGHT: 245 lbs (Whirlpool w/air)

CRATED SIZE: 50" X 86" X 40"

AVERAGE FILL (gallons): 142

PUMP SIZE: 1.5 HP

ELECTRICAL: 110 V 20 Amp Circuit

MATERIAL: Acrylic reinforced fiberglass

STANDARD COLORS: White, Black, Bone, Almond, Biscuit, Linen, Inn. Blush, Sterling Silver

STANDARD FEATURES: Theradjust, H.E.E.T., VitaTouch

JETS: Star 4, Cluster 6

Interior Depth	Interior Length Top	Interior Width Top	Interior Length Bottom	Interior Width Bottom
20 ^{3/4}	59 ^{1/4}	26 ^{7/8}	52 ^{1/2}	24

* Except interior depth, all dimensions are approximations to the nearest inch.



A Division of DM Industries, Ltd.
 2320 N.W. 147th St, Miami, FL 33054
 Tel: (305) 685-5739 / (888) 289-8482
 Fax: (305) 688-9415 / (800) 785-5222
 Web Site: <http://www.vitabath.com>