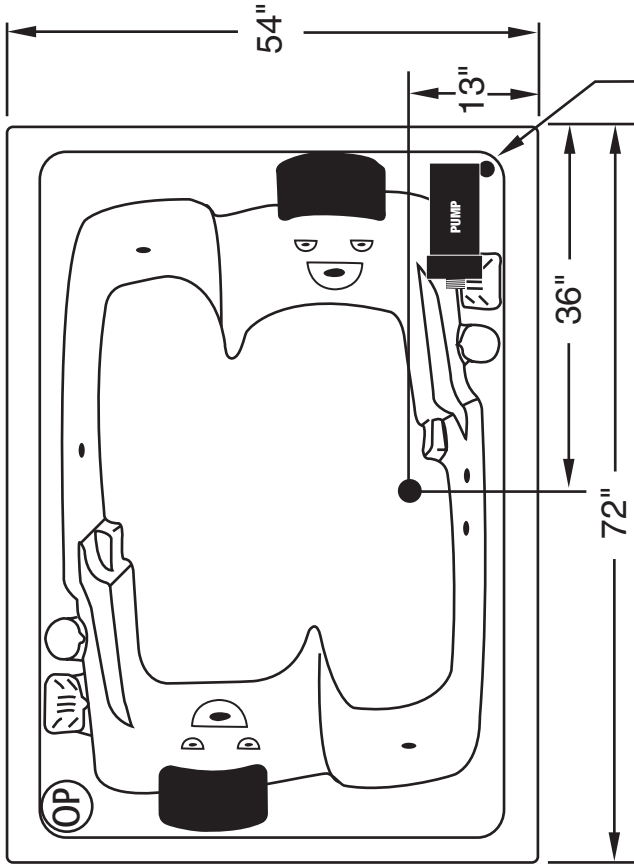


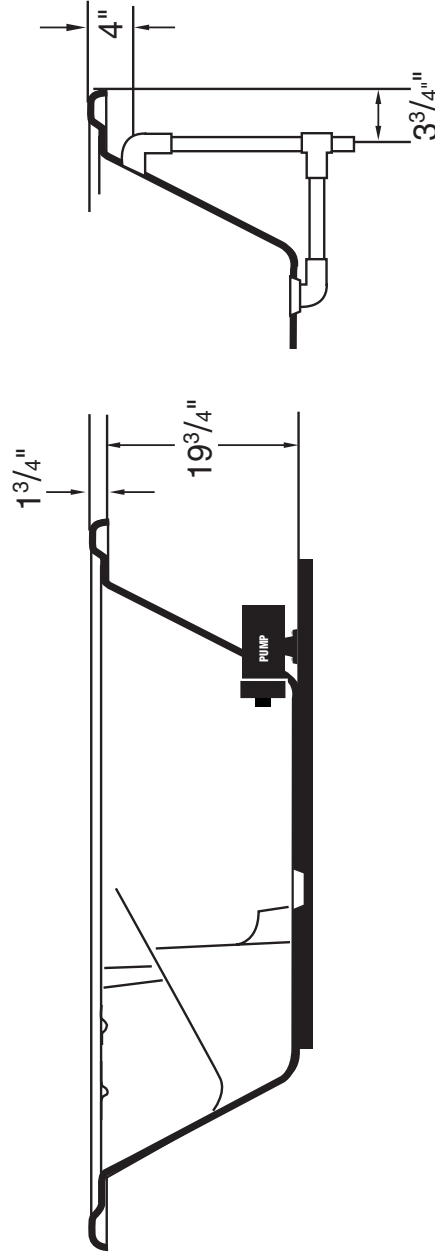
signature series

5472CW-La Caresse

S P E C I F I C A T I O N S



On/Off Control



Notes: Certain optional features will result in equipment extending beyond perimeter of tub.

OP Optional Pump Location

Standard Pump Location

MODEL: 5472 CW

SIZE: 54" x 72"

EST. BOXED WEIGHT: 146 lbs. (Tub Only)

EST. BOXED WEIGHT: 204 lbs. (Whirlpool)

EST. BOXED WEIGHT: 338 lbs. (Whirlpool W/Champ/Air)

BOXED SIZE: 81" x 57" x 24"

AVERAGE FILL (gallons): 90

PUMP SIZE: 1.5 HP

ELECTRICAL: 110 V 20 Amp Circuit

MATERIAL: Acrylic reinforced fiberglass

STANDARD COLORS: White, Bone, Almond, Biscuit
Sterling Silver, Linen

STANDARD FEATURES: Air Switch

JETS: Star Jets 4, Cluster Jets 4, Rotoswirl 2

AIR CONTROL(S): 2

SUCTION FITTINGS: 1

OTHER: 2 Pillows

Interior Depth	Interior Length Top	Interior Width Top	Interior Length Bottom	Interior Width Bottom
18	58 1/2	44 1/2	52	36 1/2

* Except interior depth, all dimensions are approximations to the nearest inch.

VITA[®]
VBATH

A Division of DM Industries, Ltd.
2320 N.W. 147th St, Miami, FL 33054
Tel: (305) 685-5739 / (888) 289-8482
Fax: (305) 688-9415 / (800) 785-5222
Web Site: <http://www.vitabath.com>