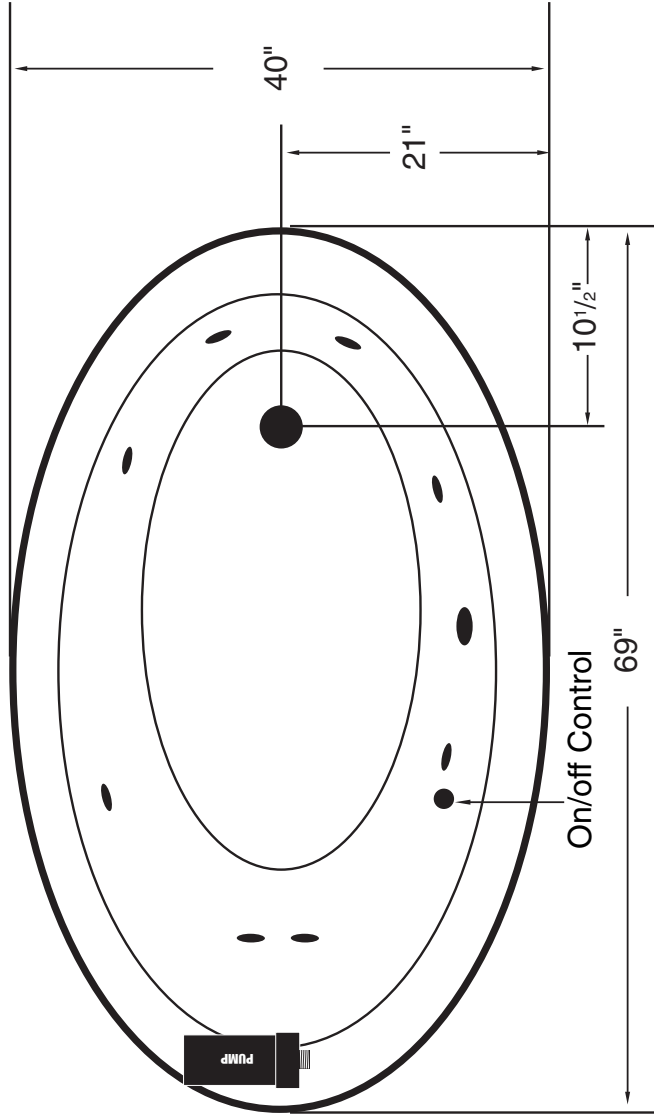


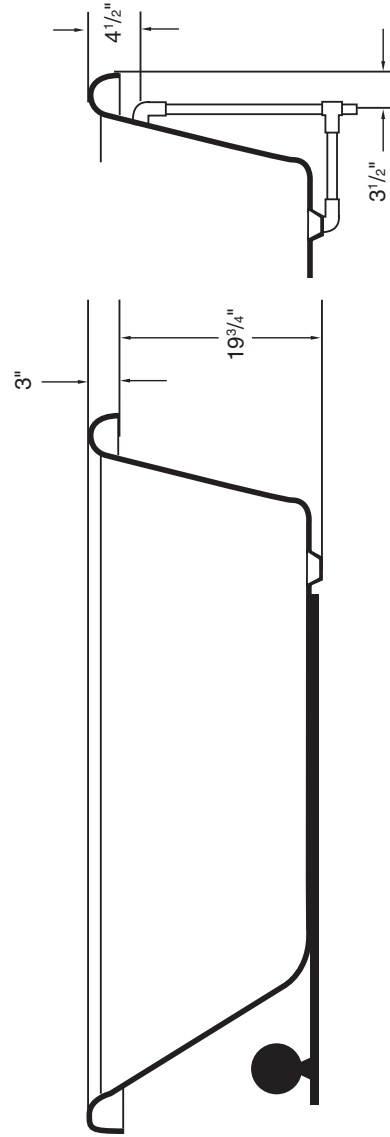
# signature series

4069PW-La Petite

# S P E C I F I C A T I O N S



TEMPLATE AVAILABLE



Standard Pump Location

- All dimensions are plus or minus 1/2" (maximum tolerance)
- Vita Bath reserves the right to make changes without notice.
- Copyright, all rights reserved.

**MODEL:** 4069 PW

**SIZE:** 40" x 69"

**EST. BOXED WEIGHT:** 110 lbs. (Tub Only)

**EST. BOXED WEIGHT:** 150 lbs. (Whirlpool)

**EST. BOXED WEIGHT:** 180 lbs. (Whirlpool W:Champ/Air)

**BOXED SIZE:** 80" x 39" x 24"

**AVERAGE FILL (gallons):** 50

**PUMP SIZE:** 1.5 HP

**ELECTRICAL:** 110 V 20 Amp Circuit

**MATERIAL:** Acrylic reinforced fiberglass

**STANDARD COLORS:** White, Bone, Almond, Biscuit  
Sterling Silver, Linen

**STANDARD FEATURES:** Air Switch

**JETS:** Star Jets 6, Cluster Jets 2

**AIR CONTROL(S):** 1

**SUCTION FITTINGS:** 1

Interior Depth	Interior Length Top	Interior Width Top	Interior Length Bottom	Interior Width Bottom
19 3/4	59	31 1/2	46	27 1/2

\* Except interior depth, all dimensions are approximations to the nearest inch.

# VITA<sup>®</sup> VBATH

A Division of DM Industries, Ltd.  
2320 N.W. 147th St, Miami, FL 33054  
Tel: (305) 685-5739 / (888) 289-8482  
Fax: (305) 688-9415 / (800) 785-5222  
Web Site: <http://www.vitabath.com>