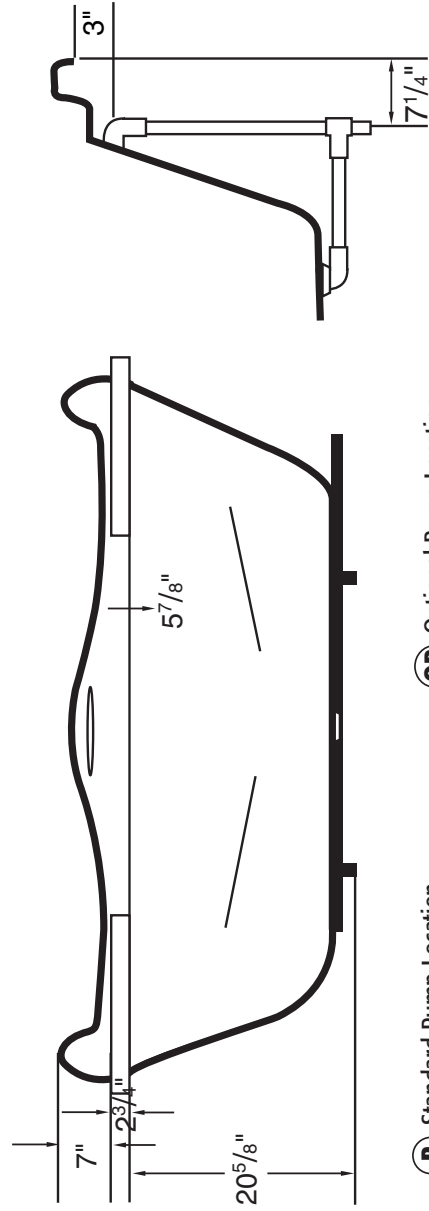
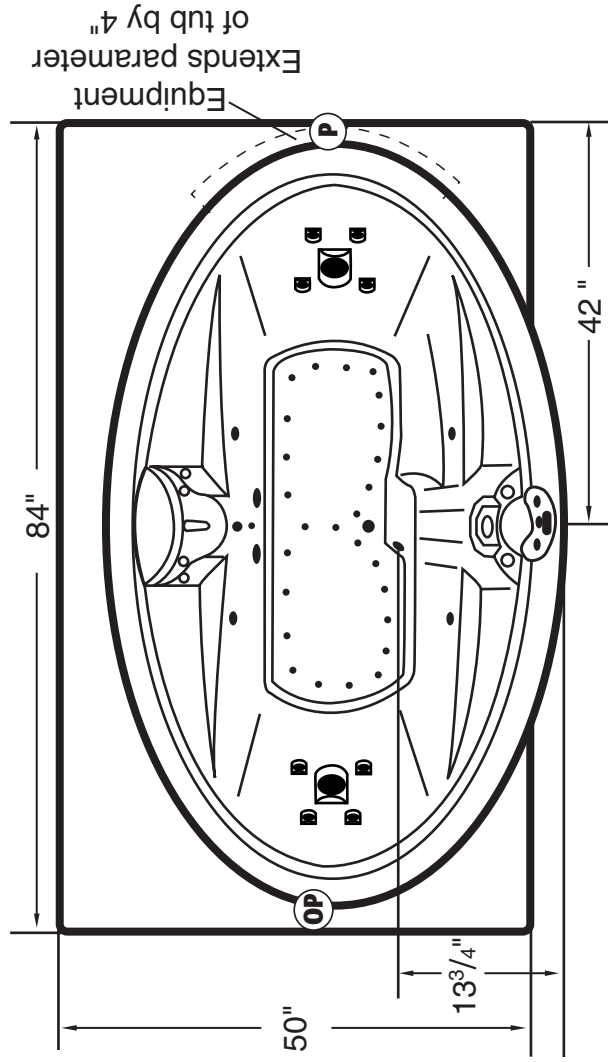


# S P E C I F I C A T I O N S

masterbath collection

5084CWPMB-Le Chateau



**P** Standard Pump Location

**OP** Optional Pump Location

- All dimensions are plus or minus 1/8" (maximum tolerance)
- Vita Bath reserves the right to make changes without notice.
- Copyright, all rights reserved.

**MODEL:** 5084 CWPMB

**SIZE:** 50" x 84"

**EST. CRATED WEIGHT:** 417 lbs.

**CRATED SIZE:** 54" x 90" x 40"

**AVERAGE FILL (gallons):** 100

**PUMP SIZE:** 3 HP

**Heater:** 1.5KW

**ELECTRICAL:** 220 V 30 Amp Circuit

**MATERIAL:** Acrylic reinforced fiberglass

**STANDARD COLORS:** White, Black, Bone, Almond, Biscuit, Linen, Inn. Blush, Sterling Silver

**STANDARD FEATURES:** VitaAroma with Champagne Air, Waterfall, Electronic Control, Tub Filler, Spectra-Glo

**JETS:** Star Jets 4, Cluster Jets 8, Rotoswirl Jets 2, Vitassage Jets 2

**AIR JETS:** 26 Aero--ssage Jets

**AIR CONTROL(S):** 1

**SUCTION FITTINGS:** 2

**OTHER:** Available with skirt

Interior Depth	Interior Length Top	Interior Length Bottom	Interior Width Top	Interior Width Bottom
23	68 1/2	47	34	22

\* Except interior depth, all dimensions are approximations to the nearest inch.

**VITA<sup>®</sup>**  
**VBATH**

A Division of DM Industries, Ltd.  
2320 N.W. 147th St, Miami, FL 33054  
Tel: (305) 685-5739 / (888) 289-8482  
Fax: (305) 688-9415 / (800) 785-5222  
Web Site: <http://www.vitabath.com>