

FAX ORDERS TO: 1(800)785-5222 OR (305) 908-8169

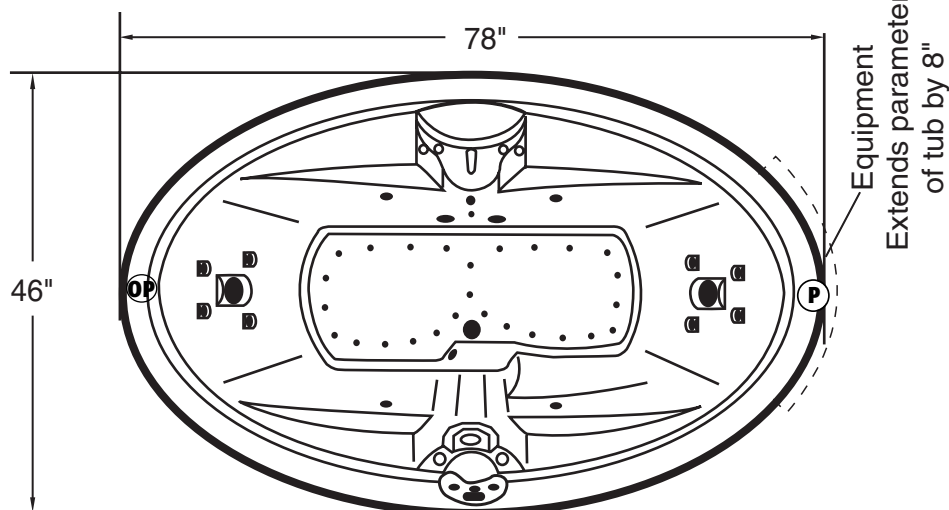
masterbath collection

4678CWMB-Le Chateau

Dimensions: 78"L x 46"W
Capacity: 100 Gallons

BILL TO: _____ **CUST. #:** _____
ORDER DATE: _____ **SHIP DATE:** _____ **P.O. #:** _____
PHONE #: _____ **FAX #:** _____
SHIP TO: _____ **PH:** _____
ADDRESS: _____ **CITY:** _____ **ST:** _____ **ZIP:** _____

PHONE #: _____
FAX #: _____
SPECIAL INSTRUCTIONS: _____



- (P)** Standard Pump Location
- (OP)** Optional Pump Location

*Equipment extends beyond tub lip.

CHOOSE YOUR BATH	LIST PRICE	DISCOUNTED PRICE
<input type="checkbox"/> 4678CWMB Whirlpool Bathtub with Electronic Controls and 3.0HP Pump, 1.0 HP Blower, 220V Tub includes Champagne Air, VitAroma, Heater and Spectra-Glo.	\$7995.00	\$ <input type="text"/>

CHOOSE YOUR OPTIONS	LIST PRICE	DISCOUNTED PRICE
COLORS Standard Color: <input type="checkbox"/> White <input type="checkbox"/> Bone <input type="checkbox"/> Almond <input type="checkbox"/> Biscuit <input type="checkbox"/> Linen <input type="checkbox"/> Black <input type="checkbox"/> Innocent Blush <input type="checkbox"/> Sterling Silver	INCLUDED	\$ N/C
Optional Colors	N/A	\$ N/A
TRIM KITS <input type="checkbox"/> Whirlpool (Color Coordinated) <input type="checkbox"/> Polished Chrome #092250ACH	INCLUDED	\$ N/C
<input type="checkbox"/> Brush Nickel #092250ABN <input type="checkbox"/> Polished Brass #092250ABR	INCLUDED	\$ N/C
<input type="checkbox"/> Tub Spout <input type="checkbox"/> Polished Chrome #0560250 <input type="checkbox"/> Polished Brass #0560251 <input type="checkbox"/> Brush Nickel #0560258	INCLUDED	\$ N/C
CABLE OPERATED WASTE & OVERFLOW <input type="checkbox"/> Polished Brass PVD #0561136	\$410.00	\$
<input type="checkbox"/> Polished Chrome #0561132 <input type="checkbox"/> White #0561133 <input type="checkbox"/> Almond #0561134 <input type="checkbox"/> Biscuit #0561135	\$240.00	\$
<input type="checkbox"/> Brush Nickel #0561143	\$290.00	\$
MISCELLANEOUS Pillow (Add-On Style) <input type="checkbox"/> White #0532047 <input type="checkbox"/> Bone #0532048 <input type="checkbox"/> Black #0532049	\$58.00	\$
<input type="checkbox"/> Tub Liner #VBP/L	\$105.00	\$
<input type="checkbox"/> Aromatherapy-Chromatherapy Mister #0520199 can be installed on certain tubs or on the constructed decks	\$245.00	\$
VITAROMA SCENTS (Box of 10 Canisters) <input type="checkbox"/> Joie de Lavendre #0622506 <input type="checkbox"/> Tropical Citrus #0622507		
<input type="checkbox"/> Cool Mint #0622505 <input type="checkbox"/> Tangy Orange #0622508 <input type="checkbox"/> Eucalyptus #0622526 <input type="checkbox"/> Wild Berry #0622524		
<input type="checkbox"/> Summer Melon #0622525 <input type="checkbox"/> Vanilla #0622523	\$84.00	\$



A Division of DM Industries, LTD 2320 N.W. 147th St., Miami, FL 33054
 For Dealer Information call: 1 (888) 289-8482/(305) 685-5739
 Web Site: <http://www.vitabath.com>

VB RES-DEL Residential Delivery (Add \$75.00): + \$
 Residential Delivery Exceeding 50 miles (\$250.00): + \$

ORDER TOTAL: \$