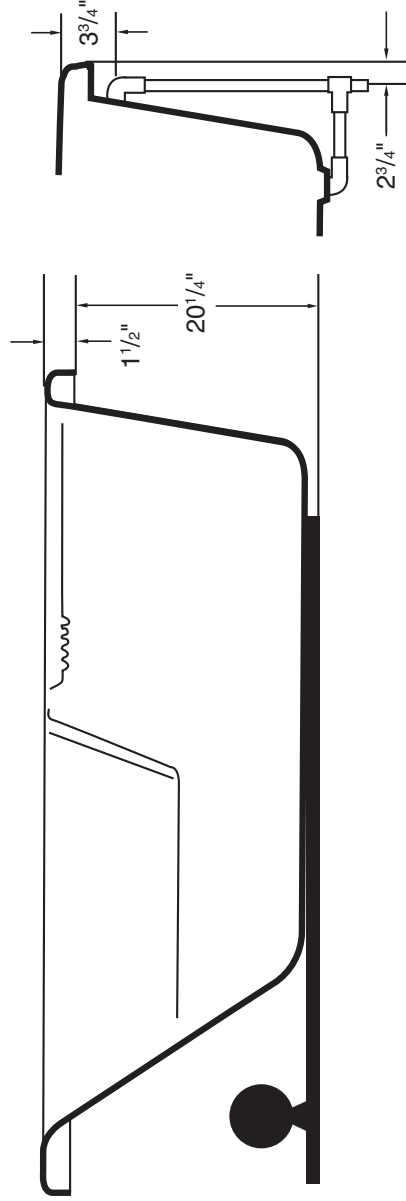
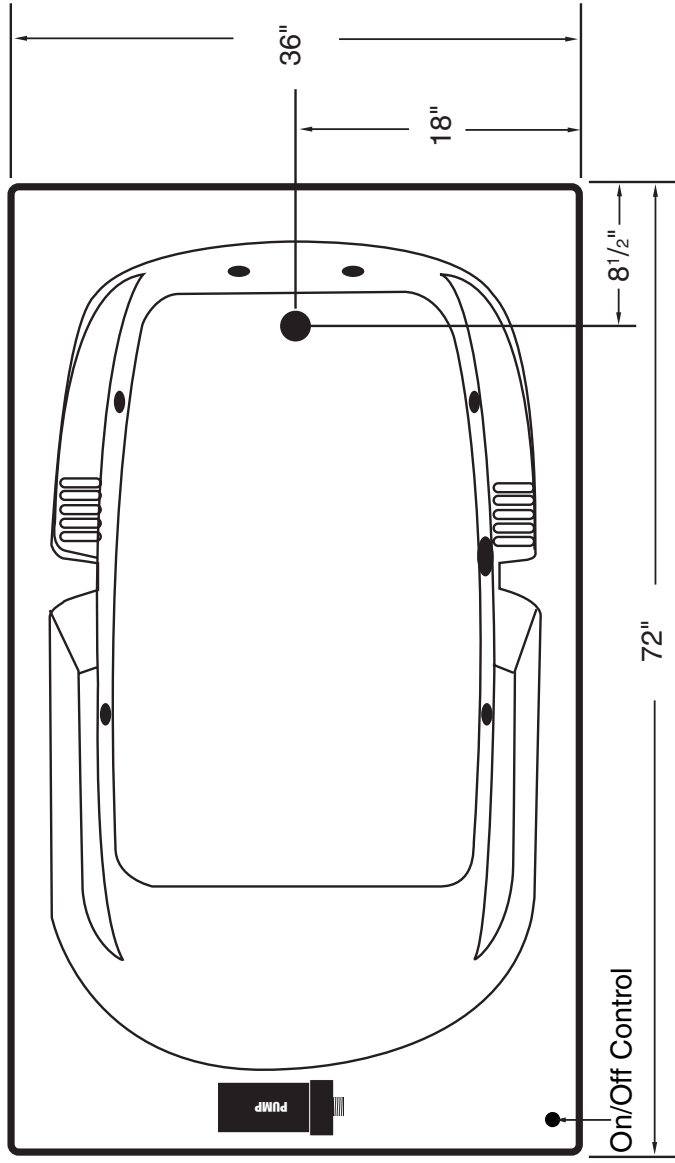


SPECIFICATIONS

aurora series

3672EWA



Standard Pump Location

Notes: Will accept shower door

- All dimensions are plus or minus 1/8" (maximum tolerance)
- Vita Bath reserves the right to make changes without notice.
- Copyright, all rights reserved.

MODEL: 3672 EWA

SIZE: 36" x 72"

EST. BOXED WEIGHT: 137 lbs. (Tub Only)

EST. BOXED WEIGHT: 202 lbs. (Whirlpool)

BOXED SIZE: 81" x 39" x 24"

AVERAGE FILL (gallons): 60

PUMP SIZE: 1.0 HP

ELECTRICAL: 110 V 20 Amp Circuit

MATERIAL: Acrylic reinforced fiberglass

STANDARD COLORS: White, Bone, Almond, Biscuit
Sterling Silver, Linen

STANDARD FEATURES: Air Switch

JETS: Standard 6

AIR CONTROL(S): 1

SUCTION FITTINGS: 1

Interior Depth	Interior Length Top	Interior Width Top	Interior Length Bottom	Interior Width Bottom
18 1/2	63	30	47	18

* Except interior depth, all dimensions are approximations to the nearest inch.

VITA[®]
V/BATH

A Division of DM Industries, Ltd.
2320 N.W. 147th St., Miami, FL 33054
Tel: (305) 685-5739 / (888) 289-8482
Fax: (305) 688-9415 / (800) 785-5222
Web Site: <http://www.vitabath.com>