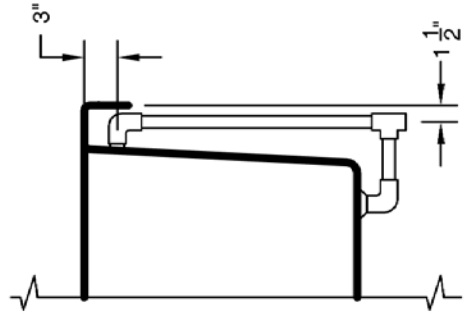
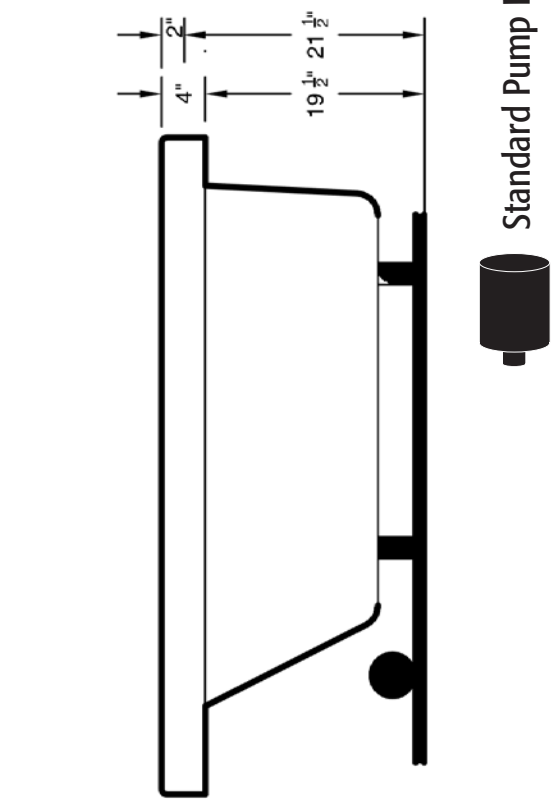
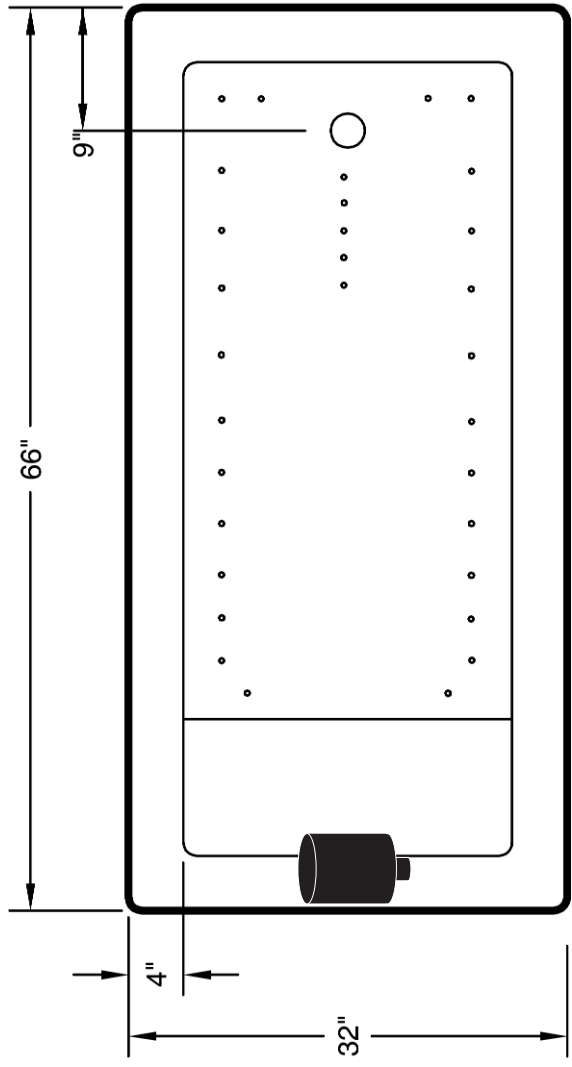


elite collection

3266VNAS Venetian

S P E C I F I C A T I O N S



- All dimensions are plus or minus 1/8" (maximum tolerance)
- Vita Bath reserves the right to make changes without notice.
- Copyright, all rights reserved.

MODEL: 3266VNAS

SIZE: 32" x 66"

EST. BOXED WEIGHT: 125 lbs.

BOXED SIZE: 35" x 76" x 24"

AVERAGE FILL (gallons): 60

AIR PUMP SIZE: 1.0 HP

ELECTRICAL: 110 V 20 Amp Circuit

MATERIAL: Acrylic reinforced fiberglass

STANDARD COLORS: White, Bone, Almond, Biscuit, Sterling Silver, Linen

STANDARD FEATURES: Electronic Digital Control, Air Pump with Heater, Mood Light, VitaAroma

AIR JETS: 31 Aero--sage Jets

Interior Depth	Interior Length Top	Interior Width Top	Interior Length Bottom	Interior Width Bottom
20	57 1/4	23 1/4	47 1/4	19

* Except interior depth, all dimensions are approximations to the nearest inch.

AromaSpa™
by **VITA BATH**

A Division of DM Industries, Ltd.
2320 N.W. 147th St, Miami, FL 33054
Tel: (305) 685-5739 / (888) 289-8482
Fax: (305) 688-9415 / (800) 785-5222
Web Site: <http://www.vitabath.com>