

# elite plus collection

5472CAS-La Cresse

## S P E C I F I C A T I O N S

- All dimensions are plus or minus 1/2" (maximum tolerance)
- Vita Bath reserves the right to make changes without notice.
- Copyright, all rights reserved.

**MODEL:** 5472 CAS

**SIZE:** 54" x 72"

**EST. BOXED WEIGHT:** 166 lbs.

**BOXED SIZE:** 57" x 81" x 24"

**AVERAGE FILL (gallons):** 90

**AIR PUMP SIZE:** 1.0 HP

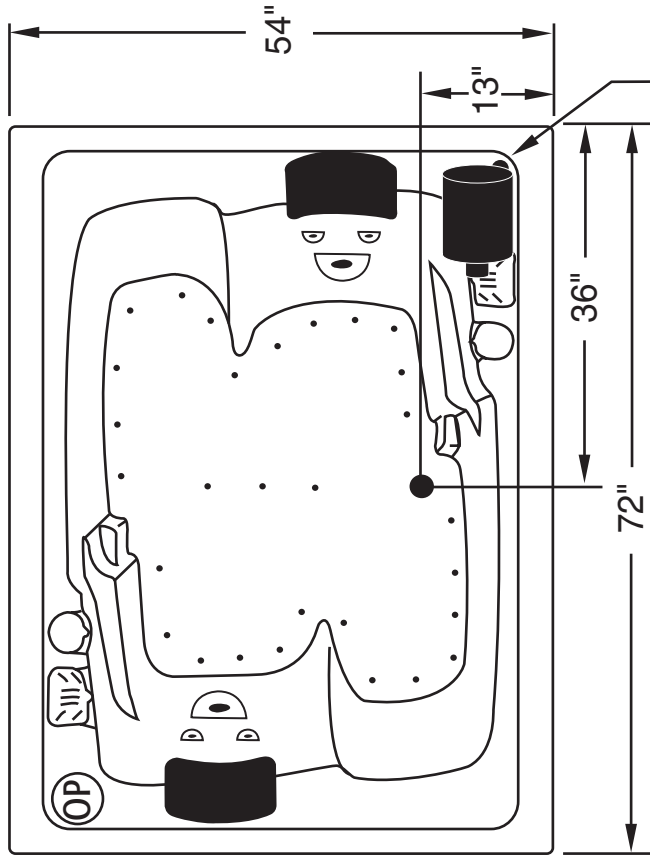
**ELECTRICAL:** 110 V 20 Amp Circuit

**MATERIAL:** Acrylic reinforced fiberglass

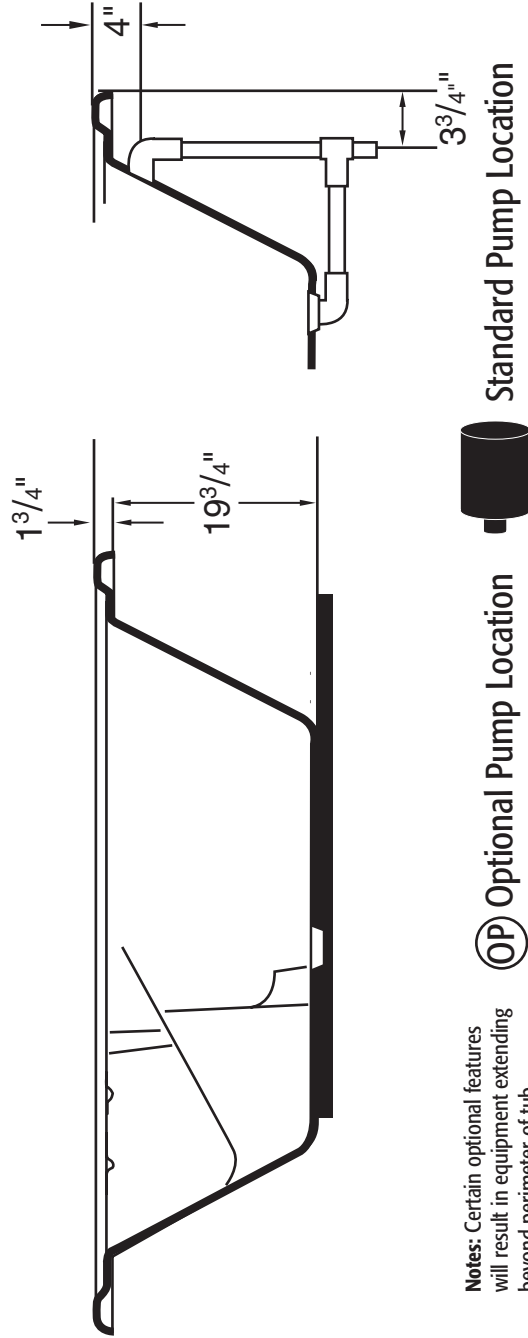
**STANDARD COLORS:** White, Bone, Almond, Biscuit  
Sterling Silver, Linen

**STANDARD FEATURES:** Electronic Digital Control, Air Pump  
with Heater, Spectra-Glo, VitaAroma,  
Pillows

**JETS:** 29 Aero-ssage Jets



Air Switch or optional on/off



**Notes:** Certain optional features  
will result in equipment extending  
beyond perimeter of tub.

OP Optional Pump Location

Standard Pump Location

Interior Depth	Interior Length Top	Interior Width Top	Interior Length Bottom	Interior Width Bottom
18	58 1/2	44 1/2	52	36 1/2

\* Except interior depth, all dimensions are approximations to the nearest inch.

**AromaSpa™**  
by **VITA<sup>®</sup> BATH**

A Division of DM Industries, Ltd.  
2320 N.W. 147th St., Miami, FL 33054  
Tel: (305) 685-5739 / (888) 289-8482  
Fax: (305) 688-9415 / (800) 785-5222  
Web Site: <http://www.vitabath.com>