

# elite plus collection

4872IAS-L' Image

# S P E C I F I C A T I O N S

- All dimensions are plus or minus 1/2" (maximum tolerance)
- Vita Bath reserves the right to make changes without notice.
- Copyright, all rights reserved.

**MODEL:** 4872 IAS

**SIZE:** 48" x 71.5"

**EST. BOXED WEIGHT:** 138 lbs.

**BOXED SIZE:** 51" X 80" X 27"

**AVERAGE FILL (gallons):** 55

**AIR PUMP SIZE:** 1.0 HP

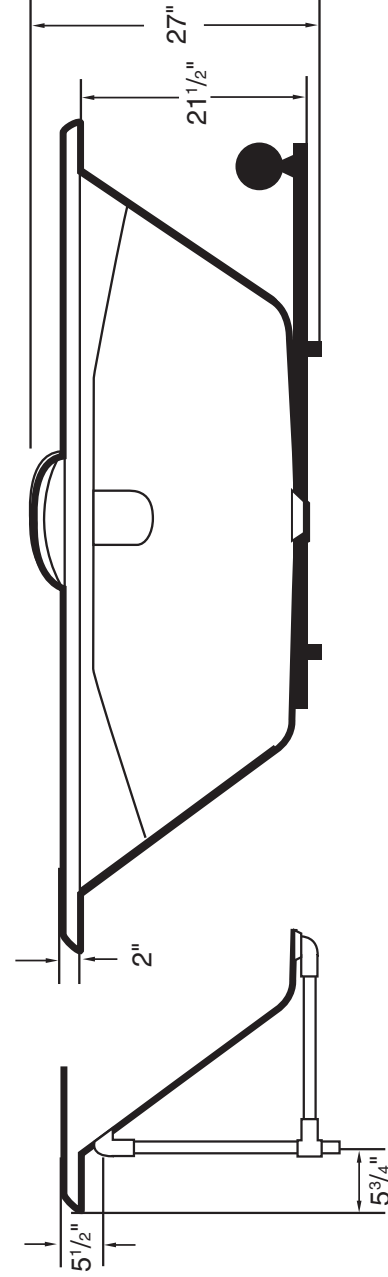
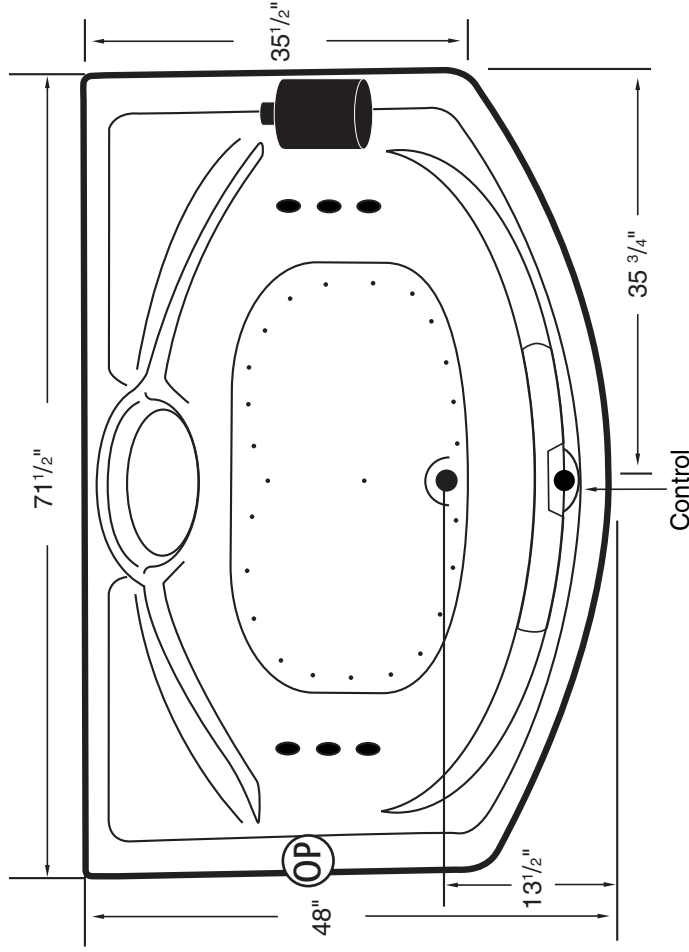
**ELECTRICAL:** 110 V 20 Amp Circuit

**MATERIAL:** Acrylic reinforced fiberglass

**STANDARD COLORS:** White, Bone, Almond, Biscuit  
Sterling Silver, Linen

**STANDARD FEATURES:** Electronic Digital Control, Air Pump  
with Heater, Spectra-Glo, VitaAroma

**AIR JETS:** 25 Aero--ssage Jets



Ⓞ Optional Pump Location



Standard Pump Location

Interior Depth	Interior Length Top	Interior Width Top	Interior Length Bottom	Interior Width Bottom
19	64	39	42	26

\* Except interior depth, all dimensions are approximations to the nearest inch.

**AromaSpa™**  
by **VITA BATH**

A Division of DM Industries, Ltd.  
2320 N.W. 147th St., Miami, FL 33054  
Tel: (305) 685-5739 / (888) 289-8482  
Fax: (305) 688-9415 / (800) 785-5222  
Web Site: <http://www.vitabath.com>