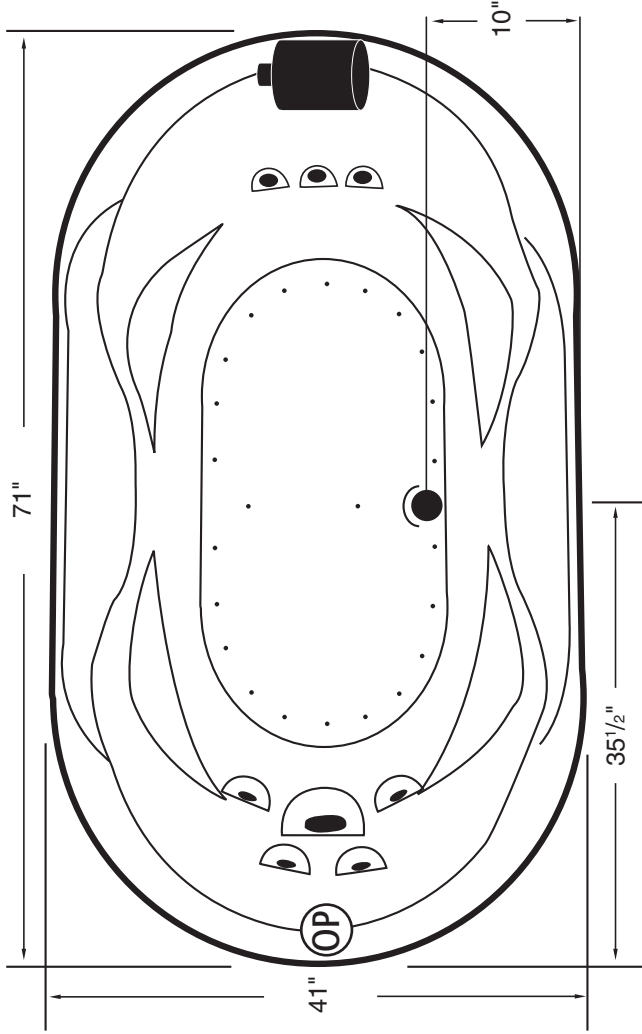


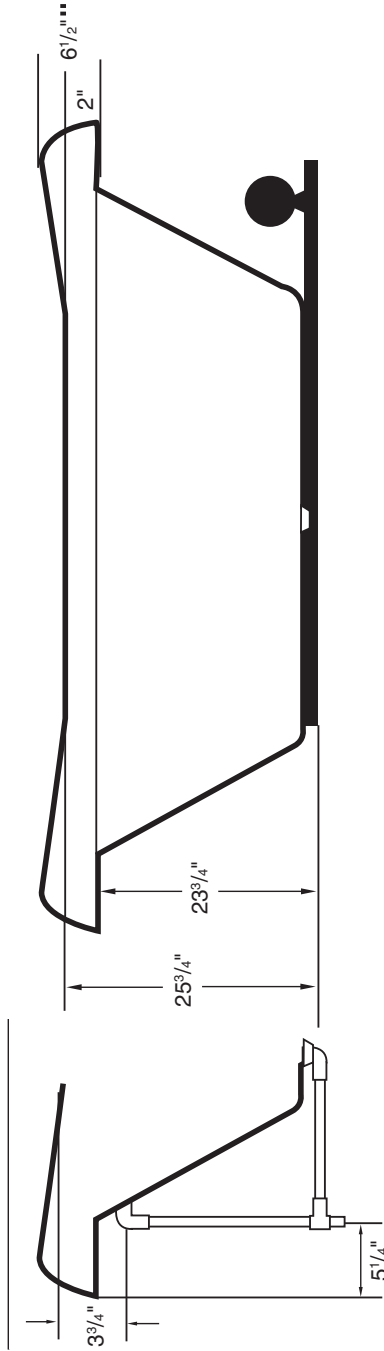
S P E C I F I C A T I O N S

elite plus collection

4170IAS-L' Indulgence



TEMPLATE AVAILABLE



Notes: Certain optional features will result in equipment extending beyond perimeter of tub.

Ⓞ Optional Pump Location

Ⓞ Standard Pump Location

MODEL: 4170 IAS

SIZE: 41" x 71"

EST. BOXED WEIGHT: 160 lbs.

BOXED SIZE: 45" x 75" x 36"

AVERAGE FILL (gallons): 75

AIR PUMP SIZE: 1.0 HP

ELECTRICAL: 110 V 20 Amp Circuit

MATERIAL: Acrylic reinforced fiberglass

STANDARD COLORS: White, Bone, Almond, Biscuit Sterling Silver, Linen

STANDARD FEATURES: Electronic Digital Control, Air Pump with Heater, Spectra-Glo, VitaAroma

AIR JETS: 24 Aero-ssage Jets,

8 Aero-ssage jets (Back Jets)

Interior Depth	Interior Length Top	Interior Width Top	Interior Length Bottom	Interior Width Bottom
22 1/4	64	34	41	23

* Except interior depth, all dimensions are approximations to the nearest inch.

AromaSpa™
by **VITA-BATH**

A Division of DM Industries, Ltd.
2320 N.W. 147th St, Miami, FL 33054
Tel: (305) 685-5739 / (888) 289-8482
Fax: (305) 688-9415 / (800) 785-5222
Web Site: <http://www.vitabath.com>