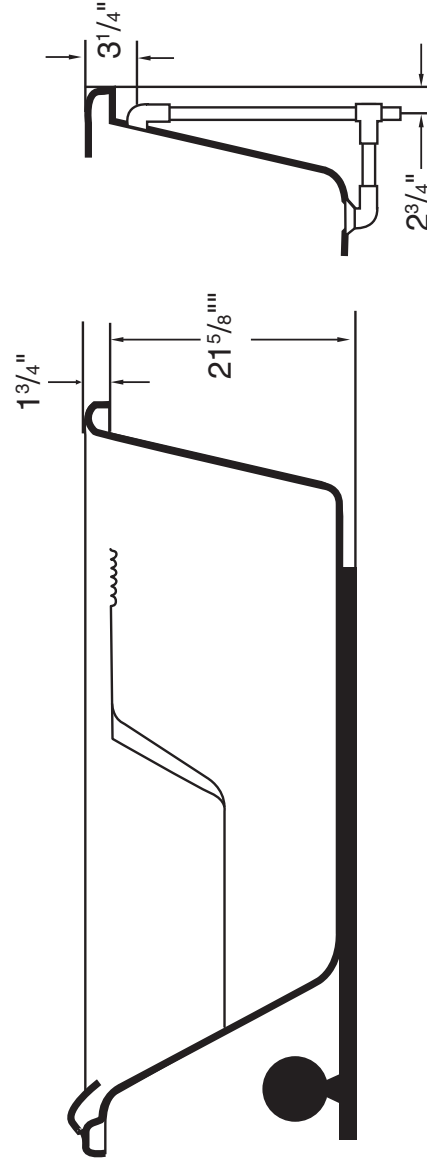
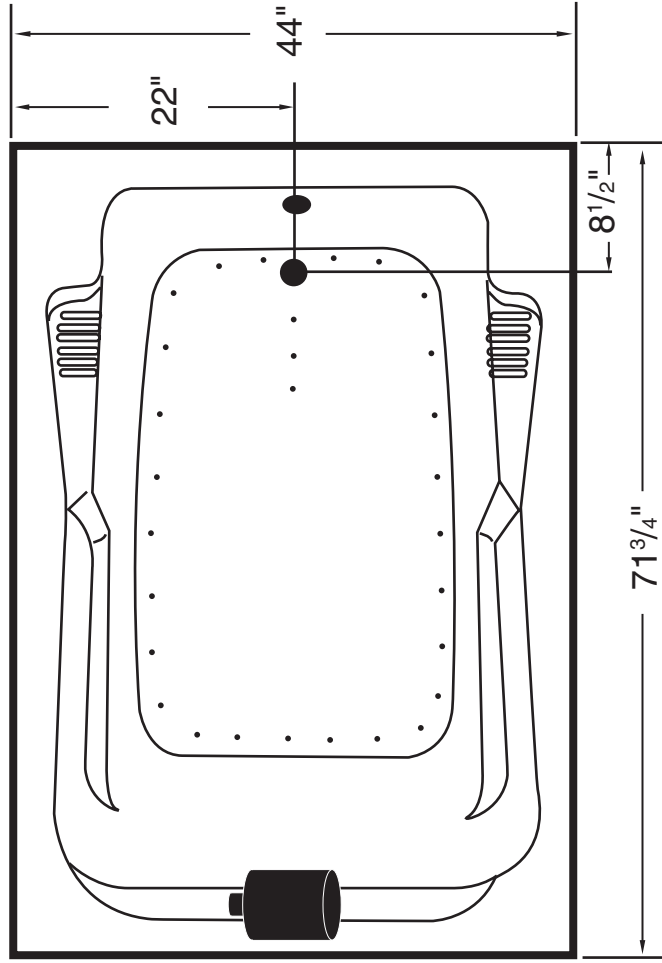


# SPECIFICATIONS

elite collection

4472MAS-Le Mirage



Notes: Will accept shower door



Standard Pump Location

- All dimensions are plus or minus 1/8" (maximum tolerance)
- Vita Bath reserves the right to make changes without notice.
- Copyright, all rights reserved.

**MODEL:** 4472 MAS

**SIZE:** 44" x 71 3/4"

**EST. BOXED WEIGHT:** 135

**BOXED SIZE:** 45" x 81" x 27"

**AVERAGE FILL (gallons):** 60

**AIR PUMP SIZE:** 1.0 HP

**ELECTRICAL:** 110 V 20 Amp Circuit

**MATERIAL:** Acrylic reinforced fiberglass

**STANDARD COLORS:** White, Bone, Almond, Biscuit  
Sterling Silver, Linen

**STANDARD FEATURES:** Electronic Digital Control, Air Pump with Heater, Mood Light, VitaAroma

**AIR JETS:** 29 Aero--ssage Jets

Interior Depth	Interior Length Top	Interior Width Top	Interior Length Bottom	Interior Width Bottom
19 7/8	61 1/2	38 1/2	45 1/4	29 1/4

\* Except interior depth, all dimensions are approximations to the nearest inch.

**AromaSpa™**  
by **VITA BATH**

A Division of DM Industries, Ltd.  
2320 N.W. 147th St., Miami, FL 33054  
Tel: (305) 685-5739 / (888) 289-8482  
Fax: (305) 688-9415 / (800) 785-5222  
Web Site: <http://www.vitabath.com>