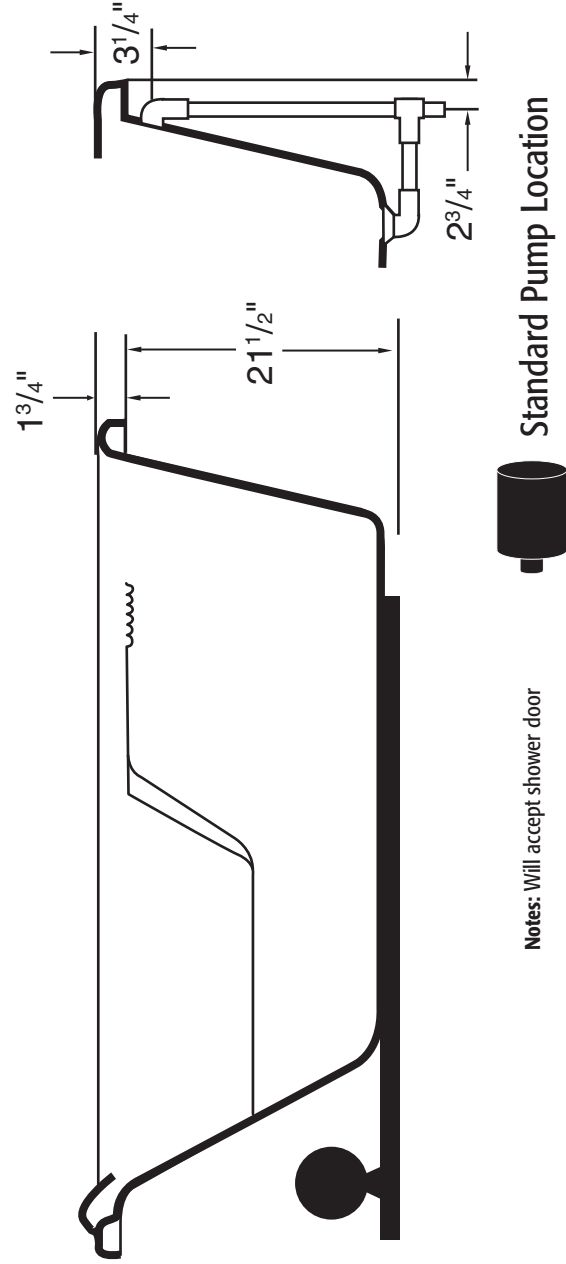
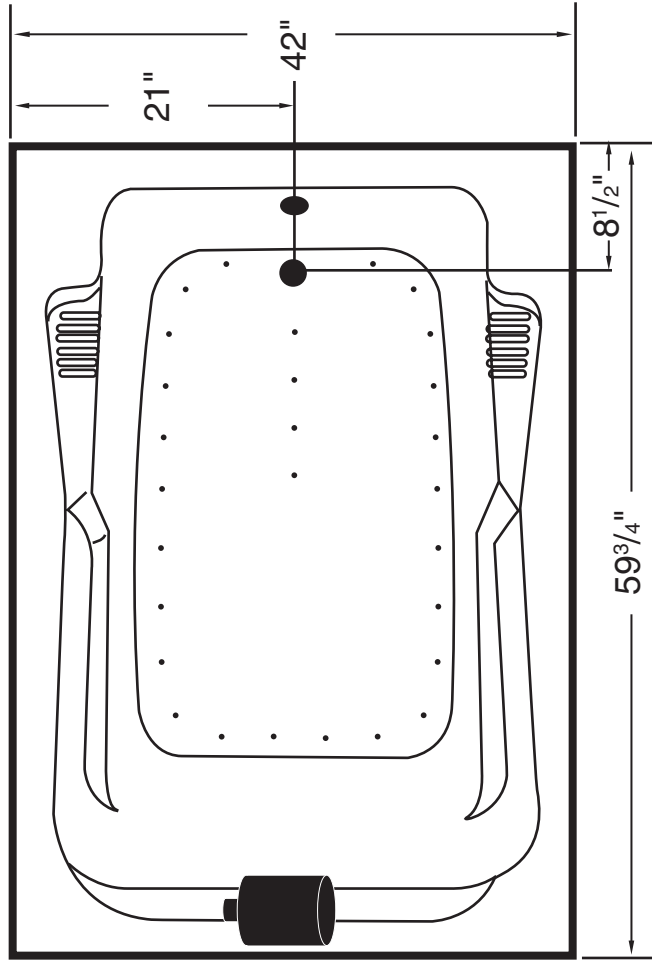


S P E C I F I C A T I O N S

elite collection

4260MAS-Le Mirage



Notes: Will accept shower door

Standard Pump Location

- All dimensions are plus or minus 1/2" (maximum tolerance)
- Vita Bath reserves the right to make changes without notice.
- Copyright, all rights reserved.

MODEL: 4260 MAS

SIZE: 42" x 59 3/4"

EST. BOXED WEIGHT: 172 lbs.

BOXED SIZE: 45" x 71" x 26"

AVERAGE FILL (gallons): 60

AIR PUMP SIZE: 1.0 HP

ELECTRICAL: 110 V 20 Amp Circuit

MATERIAL: Acrylic reinforced fiberglass

STANDARD COLORS: White, Bone, Almond, Biscuit
Sterling Silver, Linen

STANDARD FEATURES: Electronic Digital Control, Air Pump
with Heater, Mood Light, VitaAroma

AIR JETS: 28 Aero--ssage Jets

Interior Depth	Interior Length Top	Interior Width Top	Interior Length Bottom	Interior Width Bottom
19 3/4	50 1/2	38	41	25

* Except interior depth, all dimensions are approximations to the nearest inch.

AromaSpa™
by **VITA BATH**

A Division of DM Industries, Ltd.
2320 N.W. 147th St., Miami, FL 33054
Tel: (305) 685-5739 / (888) 289-8482
Fax: (305) 688-9415 / (800) 785-5222
Web Site: <http://www.vitabath.com>