

- All dimensions are plus or minus 1/2" (maximum tolerance)
- Vita Bath reserves the right to make changes without notice.
- Copyright, all rights reserved.

MODEL: 4266 HAS

SIZE: 42" X 66"

EST. BOXED WEIGHT: 180 lbs.

BOXED SIZE: 45" X 76" X 24"

AVERAGE FILL (gallons): 65

AIR PUMP SIZE: 1.0 HP

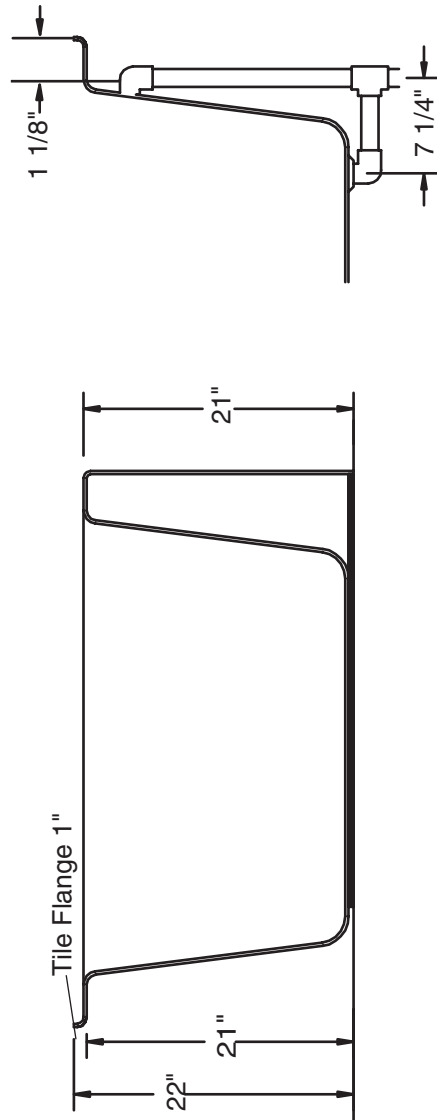
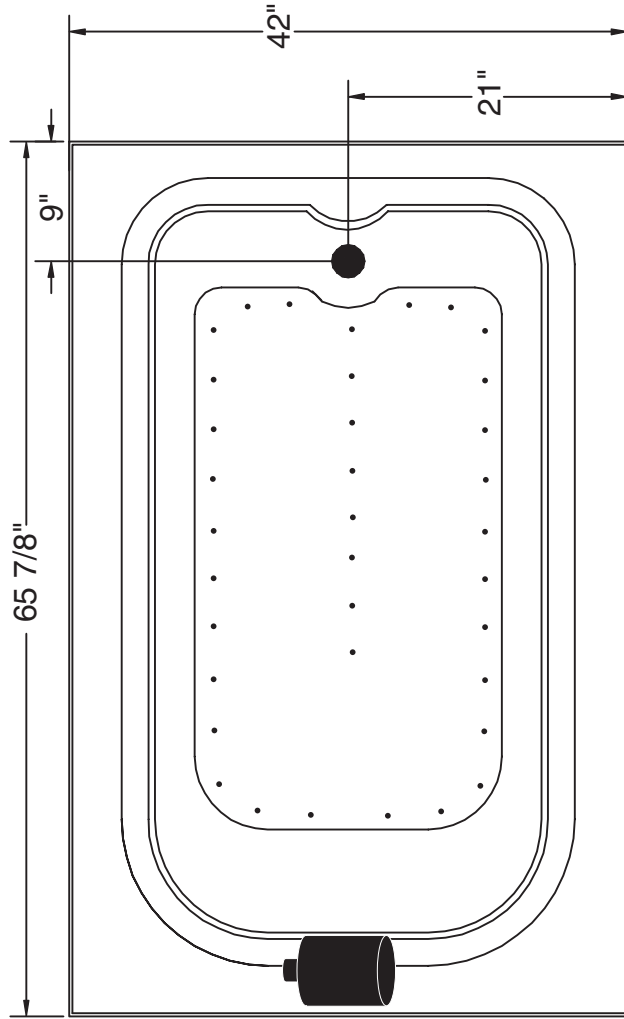
ELECTRICAL: 110 V 20 Amp Circuit

MATERIAL: Acrylic reinforced fiberglass

STANDARD COLORS: White, Bone, Almond, Biscuit, Sterling Silver, Linen

STANDARD FEATURES: Air Switch - 3 Speed, Integral Skirt, Tile Flange, VitaAroma

AIR JETS: 36 Aero-ssage Jets



Standard Pump Location

Interior Depth	Interior Length Top	Interior Length Bottom	Interior Width Top	Interior Width Bottom
18 ¹ / ₂	59 ¹ / ₈	50	33 ³ / ₈	27 ³ / ₄

AromaSpa™
by VITA[®] VBATHTM

A Division of DM Industries, Ltd.
2320 N.W. 147th St., Miami, FL 33054
Tel: (305) 685-5739 / (888) 289-8482
Fax: (305) 688-9415 / (800) 785-5222
Web Site: <http://www.vitabath.com>