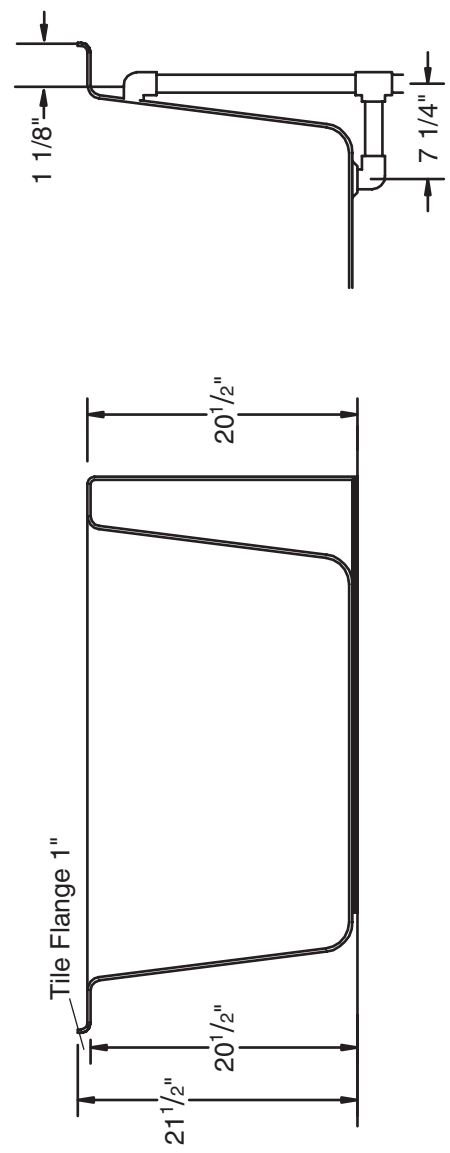
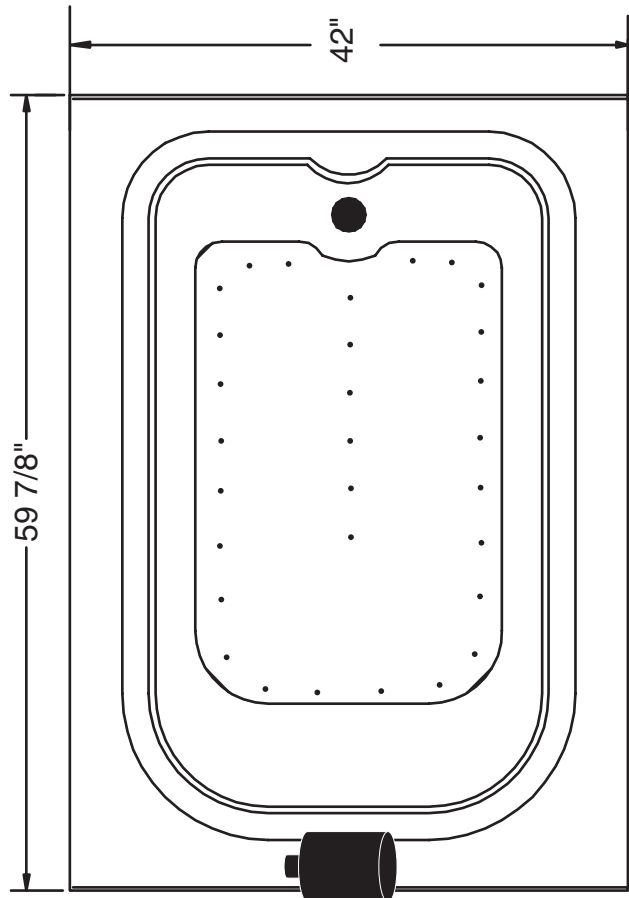


classic collection

4260HAS

S P E C I F I C A T I O N S



Standard Pump Location

- All dimensions are plus or minus 1/2" (maximum tolerance)
- Vita Bath reserves the right to make changes without notice.
- Copyright, all rights reserved.

MODEL: 4260 HAS

SIZE: 42" x 60"

EST. BOXED WEIGHT: 165 lbs.

BOXED SIZE: 45" X 71" X 24"

AVERAGE FILL (gallons): 60

AIR PUMP SIZE: 1.0 HP

ELECTRICAL: 110 V 20 Amp Circuit

MATERIAL: Acrylic reinforced fiberglass

STANDARD COLORS: White, Bone, Almond, Biscuit, Sterling Silver, Linen

STANDARD FEATURES: Air Switch - 3 Speed, Integral Skirt, Tile Flange, VitaAroma

AIR JETS: 30 Aero-ssage Jets

Interior Depth	Interior Length Top	Interior Length Bottom	Interior Width Top	Interior Width Bottom
18 1/4	52 5/8	43	33	27 1/2

AromaSpa™
by **VITA™**
by V BATH

A Division of DM Industries, Ltd.
2320 N.W. 147th St., Miami, FL 33054
Tel: (305) 685-5739 / (888) 289-8482
Fax: (305) 688-9415 / (800) 785-5222
Web Site: <http://www.vitabath.com>