

S P E C I F I C A T I O N S

- All dimensions are plus or minus 1/2" (maximum tolerance)
- Vita Bath reserves the right to make changes without notice.
- Copyright, all rights reserved.

**MODEL:** 3260 HAS

**SIZE:** 32" x 60"

**EST. BOXED WEIGHT:** 126 lbs.

**BOXED SIZE:** 35" X 71" X 24"

**AVERAGE FILL (gallons):** 50

**AIR PUMP SIZE:** 1.0 HP

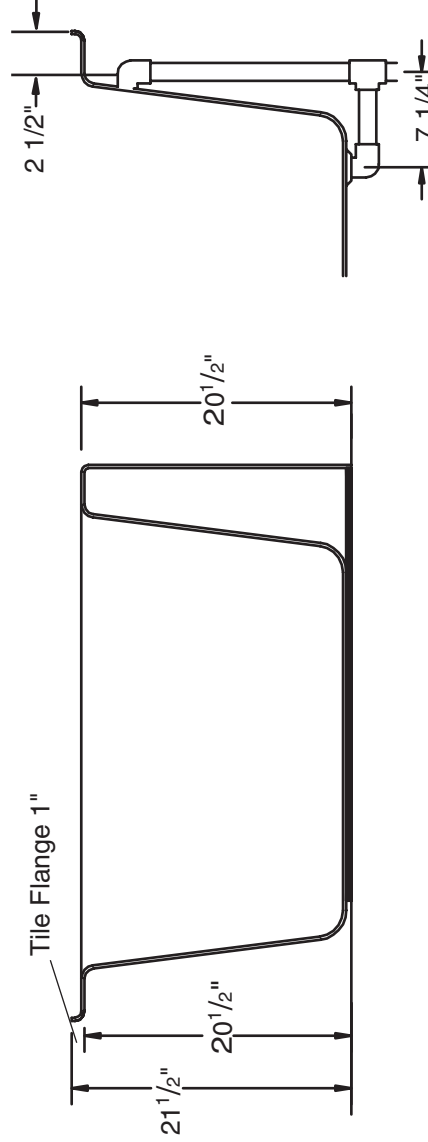
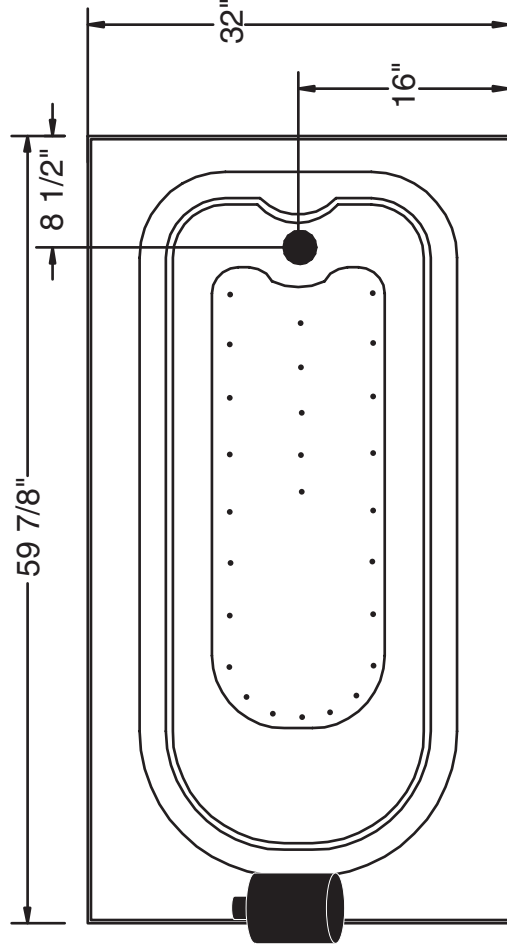
**ELECTRICAL:** 110 V 20 Amp Circuit

**MATERIAL:** Acrylic reinforced fiberglass

**STANDARD COLORS:** White, Bone, Almond, Biscuit, Sterling Silver, Linen

**STANDARD FEATURES:** Air Switch - 3 Speed, Integral Skirt, Tile Flange, VitaAroma

**AIR JETS:** 26 Aero--ssage Jets



Standard Pump Location

Interior Depth	Interior Length Top	Interior Length Bottom	Interior Width Top	Interior Width Bottom
18 1/2	52 1/2	43 1/2	25 1/4	19 1/4

AromaSpa™  
by VITA<sup>®</sup> BATU

A Division of DM Industries, Ltd.  
2320 N.W. 147th St., Miami, FL 33054  
Tel: (305) 685-5739 / (888) 289-8482  
Fax: (305) 688-9415 / (800) 785-5222  
Web Site: <http://www.vitabath.com>