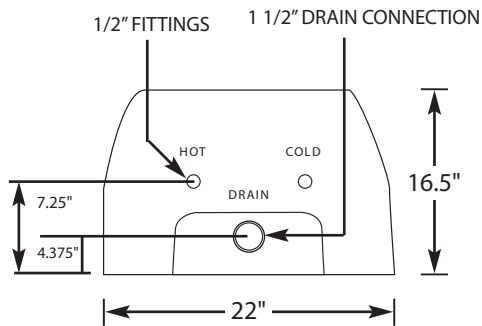


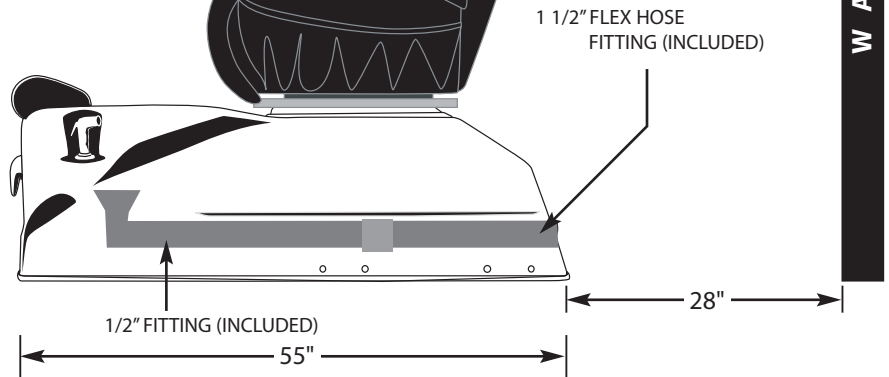
GRAVITY DRAIN INSTALLATION

BACK VIEW



FIG#2

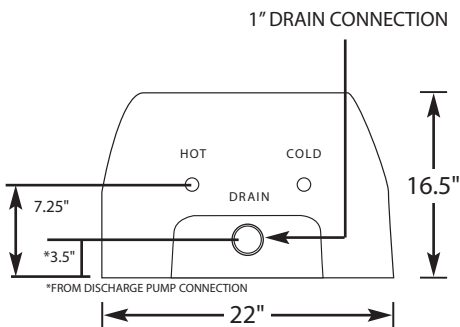
SIDE VIEW



FIG#1

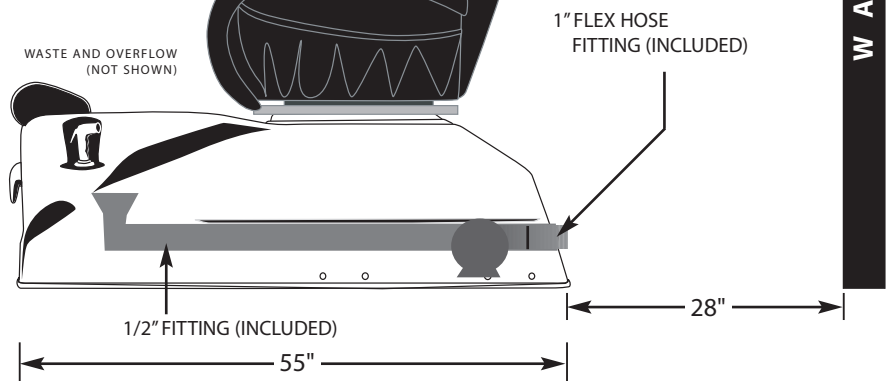
POWER DRAIN INSTALLATION

BACK VIEW



FIG#3

SIDE VIEW



FIG#4

INSTALLATION INSTRUCTION

- Discharge pump may be connected to an existing sink or floor drain. For a sink drain application pump may discharge water up to 8 ft high, but this will increase the length of the drain time. The drain connection is at the rear of the unit (Figure 2 & 3).
- Gravity drain uses a standard gravity drain, floor drain is recommended.
- Hot and cold water supply lines are located at the rear of the unit (Fig # 2 & 3) which require 1/2" fitting (not included).
- Unit power source is 110V AC/15 AMP, 60HZ dedicated circuit and must be GFCI power protected, includes a four (4) outlet power box.
- Unit must be anchored securely to the floor to prevent personal injury or damage to the unit. A unit not properly secured to floor will void warranty.