

# Signature Series

# Aurora Series

# Horizon Series

Installation & Operational  
Instructions



Manufactured by  
**VitaBath**  
2320 NW 147 Street  
Miami, Florida 33054



OWNER'S  
MANUAL





## INSTALLATION INSTRUCTIONS & OWNER'S MANUAL

(Refer to individual model sheets for specifications)

**Signature, Aurora and Horizon Series**

BEFORE BEGINNING INSTALLATION, CHECK THE FOLLOWING ITEMS  
AND READ THE INSTRUCTIONS CAREFULLY.

- CHECK ENTIRE UNIT FOR CONCEALED DAMAGE.** If there is any damage, **DO NOT INSTALL!** Shipping damages must be reported to the carrier immediately. All damage **must** be discovered and reported prior to installation in order to have it covered under the warranty!
- COMPARE COLOR OF UNIT WITH OTHER FIXTURES.** If color is not sufficiently compatible with fixtures, **DO NOT INSTALL!**

### PLANNING THE INSTALLATION

1. Make certain the floor structure is level and adequate to support installation. See floor loading in tub specifications.
2. Building codes require that a panel(s) be constructed to allow ample clearance for plumbing repairs and pump service or removal. (Please refer to your local codes for regulations.)
3. Using the tub itself, or installation drawings, measure and mark locations for waste pipe, water supply, wiring runs, and service access.

### IMPORTANT SAFETY INSTRUCTIONS

**Read and follow all instructions and save these instructions.**

- WARNING!** Examine all plumbing for damage and water test before final installation. If damage has occurred, call our Technical Service Department at 305-685-5739.
- WARNING!** Alterations or modifications of the plumbing system without expressed written authorization will invalidate all warranty claims.
- WARNING!** Installation must comply with current local and state building, plumbing, and electrical codes.
- WARNING!** It is the responsibility of the installer or owner to determine code requirements prior to installation.
- WARNING!** Connections should be made by licensed plumbers and electrician.
- WARNING!** User to flush circulation system (see maintenance instructions)

### IMPORTANT INSTRUCTIONS:

- Do Not lift by plumbing at any time! Lift by the tub.
- Tub must be supported by the subfloor and bedding, not by the tub lip.
- Run pump and test all functions and plumbing prior to finishing installation.
- Run pump only when water in tub is two inches over jets.

The plumbing system on all Vita Baths meets ETL, IAPMO, and ANSI standards at time of manufacture. Any modifications to the plumbing system, including the pump, will void the warranty and approvals.

IMPORTANT SAFETY INSTRUCTIONS  
PERTAINING TO RISK OF FIRE, ELECTRIC SHOCK, AND INJURY.

**SAVE THESE INSTRUCTIONS!**

## **READ AND FOLLOW ALL INSTRUCTIONS.**

- 1. DANGER:** To reduce the risk of injury, do not permit children to use this unit unless they are closely supervised at all times.
- 2.** Use this unit only for its intended use as described in this manual. Do not use attachments not recommended by the manufacturer.
- 3.** Never drop or insert any object into any opening.
- 4.** Do not operate this unit without the guard over the suction fitting.
- 5.** The unit must be connected only to a supply circuit that is protected by a ground-fault circuit interrupter(GFCI). Such a GFCI should be provided by the installer and should be tested on a routine basis. To test the GFCI push the test button. The GFCI should interrupt power. Push the reset button. The power should be restored. If the GFCI fails to operate in this manner, there is a ground current flowing indicating the possibility of an electrical shock. Do not use this unit. Disconnect the unit and have the problem corrected by a qualified service representative before using.
- 6.** A green colored terminal (or a wire connector marked 'G', 'GR', 'GROUND', or 'GROUNDING') is provided within the terminal compartment. To reduce the risk of electrical shock, connect this terminal or connector to the grounding terminal of your electrical service or supply panel with a continuous green insulated copper wire equivalent in size to the circuit conductors supplying the equipment, but no smaller than No.10 AWE (5.6mm)
- 7.** A pressure wire connector on a masterbath is provided on the exterior of the terminal box within this unit to permit connection of a No.8 AWE (8.4mm) solid copper bonding conductor between this unit and all electric equipment and exposed metal in the vicinity, as needed to comply with local requirements.
- 8. SAVE THESE INSTRUCTIONS.**

## **ATTENTION**

- Check Tub for Concealed Damage
- Check color compatibility with other fixtures
- Check to insure that the bath has the proper components

**Vita Bath will not be held responsible for tub damage or color compatibility problems after whirlpool is installed.**

**Vita Bath will not be held responsible for cost of installation or repair if an incorrect tub is installed.**

**Read instructions before starting installation.**

**Vita Baths supplied with a support base do not require bedding for support.**

# INSTALLATION

## PROTECTION OF TUB

Use a section of the box, cut to size, and place in the bottom of the tub. When possible, keep the box cover over the tub. These steps will help protect the tub from abrasion or damage during installation.

**IMPORTANT** - If installing a skirt with removable panel, read instructions for the skirt prior to rough-in. The instructions are located in the box with the skirt.

## SETTING TUB IN PLACE

### DECK MOUNT

We recommend setting the tub in mortar or plaster to level tub and prevent shifting after installation. (See fig. 3 under construction details) Apply mortar to the floor area that makes contact with the tub base. Set tub in opening and push on bottom of tub to secure in mortar. **TUB MUST NOT "HANG" FROM LIP OF TUB! Do not fill tub with water until mortar has hardened. Seal all joints with silicone.**

## FINISHING

Before finishing with your choice of material, make sure access entries are available to the pump, bath waste, and plumbing fixtures. Finish as desired and seal around tub, preferably with silicone.

## CLEAN PUMP SYSTEM

After tub is installed and ready to use, remove all construction debris.

## TESTING

Connect trap to bath waste. Temporarily connect garden hose for water testing. Tub must be clean before filling. Close waste and fill tub 2" above jet fittings. Run pump approximately 20 minutes. Check for leaks. Turn pump off and let water sit in tub about 5 minutes. Check for leaks in return pipe and fittings. Drain and shut off circuit breaker.

**NOTE: All tubs are factory tested for proper water-tight operation.** However, the tub must be filled with water to check for leaks that may have resulted from handling, before finishing the tub installation. Vita Bath is not responsible for any defects that could have been discovered, repaired or avoided by following this testing and inspection procedure.

**SUGGESTION:** During construction, we suggest that you cover tub to avoid use as trash receptacle.

## START-UP & TESTING

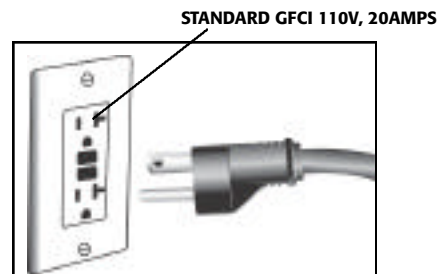
**NOTE: NEVER RUN WHIRLPOOL WITHOUT WATER IN THE TUB! LEAVE CIRCUIT BREAKER OFF UNTIL WHIRLPOOL IS PUT IN SERVICE.**

Fill bathtub to a level approximately 2" above the high-test jet. Actuate the pump by touching the on/off switch. The pump will slowly start priming by pushing water and air through the hydro jets. Once this process is completed, you can adjust the direction of the jet by turning it from side to side. The jet pressure can be adjusted turning the air control knob (7) counter clockwise for more air, or clockwise for less air induction.

# GENERAL NOTES

## ELECTRICAL

Factory wired for 110 Volt. A Class A 20 amps Ground Fault Circuit Interrupter (GFCI) is required. The 20 amp GFCI breaker must not supply any other circuits or devices. If Champagne Air is added to tub electrical requirements is 110V 30amps. An access panel must be installed to permit pump service. The unit must be connected only to a supply circuit that is protected by a ground-fault circuit interrupter(GFCI). Such a GFCI should be provided by the installer and should be tested on a routine basis. To test the GFCI push the test button. The GFCI should interrupt power. Push the reset button. (Continue)



The power should be restored. If the GFCI fails to operate in this manner, there is a ground current flowing indicating the possibility of an electrical shock. Do not use this unit. Disconnect the unit and have the problem corrected by a qualified service representative before using. A pressure wire connector is provided on the exterior of the terminal box or pump to permit connection of a No.8 AWE (8.4mm) solid copper bonding conductor between this unit and all electric equipment and exposed metal in the vicinity, as needed to comply with local requirements.

**PLUMBING**

PVC schedule 40 piping, self draining pump and fittings come completely preplumbed unless requested otherwise. The pump and whirlpool system are completely contained within the tub perimeter. On some models, the pump may exceed beyond the perimeter of the tub. If you have such a Model, please make allowances during installation.

**PLUMBING ROUGH-IN**

The bath waste protrudes below the base approximately one inch. You may be required to cut a hole in the sub-floor to accommodate bath waste. For slabs or pre-stressed concrete floors where cutting is not desired, the tub may be raised up by building the platform deeper and using extra mortar under the tub. If a joist must be notched, verify that structure will not be weakened. Remove only what is necessary. Provide supply pipe, rough-in waste and vent per code.

**BATH WASTE AND OVERFLOW**

Read instructions enclosed with bath waste for proper setting and fitting. Water tight installation of the drain is the installer's responsibility. The waste and overflow is not included with the tubs unless purchased as an option. If not purchased with the tub, you must supply and install an alternative.

**TYPICAL INSTALLATIONS**

Make absolutely certain that access panels and/or service openings are properly placed and that all possible areas where service may be required are accessible.

**TUB TO BE SUPPORTED BY THE SUB-FLOOR AND BEDDING, NOT BY THE LIP OF TUB**

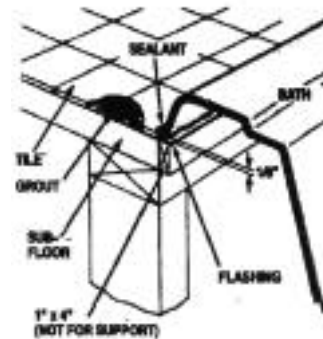


Fig. 1

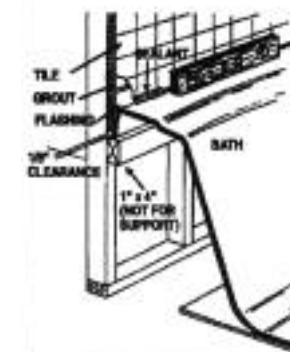


Fig. 2

**Note:** For caulking, we highly recommend using 100% silicone rather than a latex silicone because it keeps its elasticity and does not deteriorate.

**FOR A QUIETER WHIRLPOOL, WE SUGGEST:**

- a. Insulate the surround (see Fig. 3).
- b. Set tub in mortar.

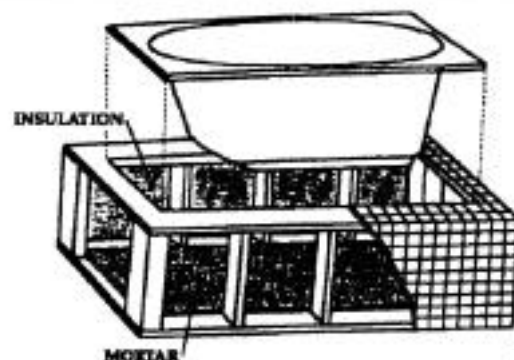


Fig. 3

## STANDARD FEATURES

**Pneumatic On/Off Switch** - Allows user to operate the whirlpool on/off.

Feature for: *Signature*



**Cluster jets** -Standard on many models in the Signature Series.

Feature for: *Signature*



**Star Jets** - Allows user to adjust the direction pressure, by timing clock wise open flow, counter clockwise close flow.

Feature for: *Signature*



**Aurora Jet** -Constant flowing jet without on/off flow.

Feature for: *Aurora/Horizon*



**Suction Fitting** - Inlet that allows water to return to pump (standard on all models).



**Air Controls** - Allows user to adjust the pressure from the jets



## OPTIONAL FEATURES

**Vita Touch** - This 3-in- 1 switch allows the user to turn the pump on and off. It has a built-in timer, and an automatic low water sensor that shuts down the pump in a low water level condition.

Feature for: *Signature*



**Turbo jet** -An overall creation of powerful whirlpool flow. The turbo jets is equip with a open/close diverter valve. (optional feature on certain models).

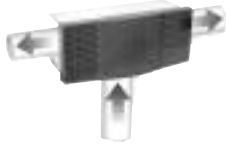
Feature for: *Signature*



## OPTIONAL FEATURES (CONTINUED)

**H.E.E.T.** -Maintains water temperature without a heater using kinetic energy of the water pump.

Feature for: *Signature*



**Therajust** - Allows user to adjust the pressure from the hydro jets, working directly with pump.

Feature for: *Signature*



### **Mood Light/Spectra Glo**

An underwater light with 3 different colored lenses (optional item). Control by pneumatic On/Off switch.

Feature for: *Signature*



**Select-A-Swirl Jet** - Allows user to adjust the direction, pressure, in a circular motion with open/close feature.

Feature for: *Signature*



**Champagne Air jets** - Send a burst of air through tiny injector fittings at bottom of tub (optional feature). Also purge cycle at 30 minutes after tub is use, another evry 24 hours.

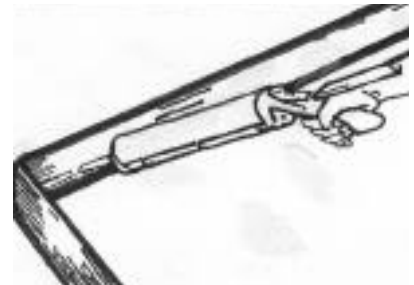
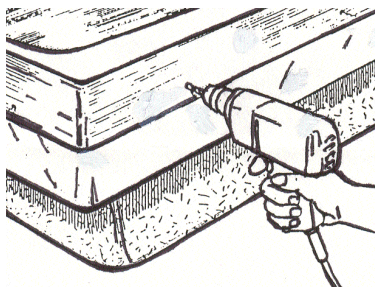
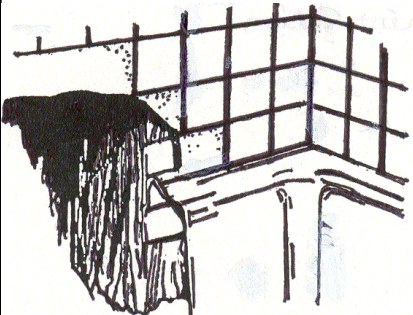
Feature for: *Signature*



**2-Way Valve** -Open/Close flow of turbo jet



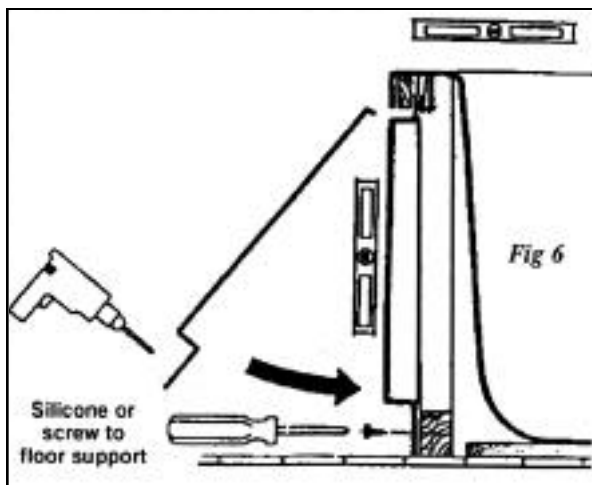
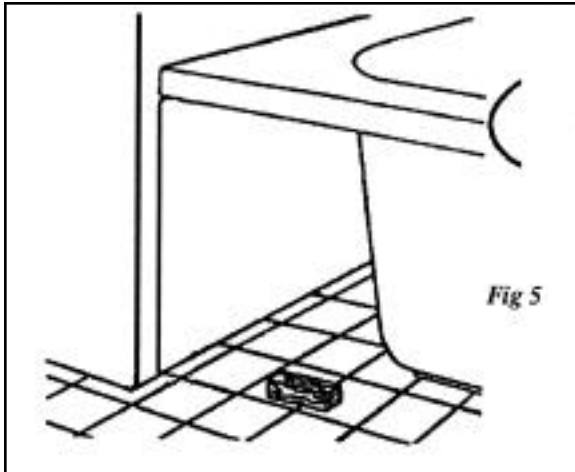
**Tile Flange**-An old piece of ABS strip which provides protection from water seeping to the back wall.



## CONSTRUCTION DETAILS

### REMOVABLE SKIRT

**Important:** Read these instructions prior to roughing in bath tub. Fasten 3 wooden blocks (see Fig. 5) to floor,



taking into consideration the shape of the skirt, which should result in a plumb position to the tub, perpendicular to the floor (see fig. 6). If the skirt needs to be trimmed at bottom, or from side, you can do so by cutting with a circular saw (carbide or diamond tipped). Secure in place by screwing at the bottom or with silicone.

## VitaTouch Plus E600/110V

### START UP AND OPERATIONAL INSTRUCTIONS

1. Fill tub to proper level. (min. 2" above highest jet)
2. Locate control panel.



- 1 | Press once: Pump  
Press twice: Blower/Pump  
Press three: Blower only  
Press four: Off
- 2 | Light Switch: Touching button controls different light settings.
- 3 | Use to control speed of blower using up or down buttons when blower is running.
- 4 | View temperature or time.
- 5 | Use to program time.

Purge Cycle: there is two different purge the first at 30 minutes after the tub is use and the second every 24 hours at the same time.

**Note:**

***Do Not Change Temperature on Display***

## USER MAINTENANCE

**USER SHOULD** periodically flush operating system (not to exceed 90 days). As a minimum, shall consist of filling and running system and draining. Vita Bath recommends flushing with a mild solution of water and sanitizer such as chlorine or other commercially available whirlpool bath flushing products.

**DO NOT** use abrasives. They may dull or scratch surface of the acrylic.

**DO NOT** use oil based solvents. Clean with only a damp cloth or mild detergent or any common glass cleaner.

**DO NOT** use bubble bath while the whirlpool is operating.

**DO NOT** turn on pump without water in the bathtub. To do so may cause damage to the pump.

**DO NOT** alter the position of the pump. To do so may void your warranty

**NOTE:** Caustic drain openers will damage the surface and the pump! Extreme heat from portable heaters and cigarettes can damage the surface of the tub. **DO NOT USE OIL BASED BATH ADDITIVES.**

### FOR MINOR SCRATCHES

The procedure to remove light surface scratches or burnish marks is quite easy. Simply apply rubbing compound to the affected area and buff lightly. Then apply paste wax and gently buff again to return the original shine.

### REPAIR TO THE SURFACE

Should a deep scratch or more serious damage be encountered, please call Technical Service at Vita International for assistance. When calling, please have the serial #, date of purchase, and color of your tub.

### CLEANING RECOMMENDATIONS

#### To clean the pipes and pump

Fill the tub and pour a cup of bleach, run pump for 5 minutes and let it sit for 10 minutes. Run the pump for 5 minutes, then rinse 2 times. Wipe off the surface after the rinse because the bleach may discolor some color trimmings.

#### After using bleach you should follow this cleaning procedure

Fill the tub with water and pour 1 Teaspoon of dishwashing liquid. Run the pump for 5 minutes, then rinse it 2 times. Clean with a soft damp cloth, do not use abrasive cleaners as they may scratch and dull surface of the unit.

## PRECAUTIONS

**HEAT STROKE** - The most susceptible people are very young, the elderly, alcoholics, and most people under the influence of drugs.

**SYMPTOMS** - Hypothermia causes loss of salt, sweating, ordinary dizziness, headache, dryness of the mouth, nausea, faintness and/or unconsciousness, convulsions, flushed appearance of the skin and rapid pulse, and/or weak or shallow breathing.

**TREATMENT** - Place on back, head slightly elevated, apply wet cloths or ice to the head, wrap body in sheet while pouring on small amounts of water, cool shower or bath, and get medical attention as soon as possible.

## TROUBLESHOOTING

PROBLEM	SOLUTION
Pump not starting	Check wiring; check timer on/off; check the on/off switch; check water level; reset GFI at outlet.
Pump humming but not priming	Air trapped in line; check for clogged jets. Add water.
Pump not moving water	Possible obstruction in impeller. Possible frozen clutch (requires replacement).
No jet pressure	Clogged jet; air control not open; jet not open; missing part in jet.
Leak in plumbing	CALL DEALER
Heater malfunction	CALL DEALER



# LIMITED WARRANTY COVERAGE

## READ CAREFULLY

### 20 YEARS STRUCTURAL

**BATH SHELL:** Vita Bath warrants its bath shells against loss of water through the fiberglass laminate of the tub body as a result of a defect in materials and workmanship, for a period of twenty (20) years from the purchase date.

### 10 YEARS SURFACE

The acrylic surface is warranted against blistering, cracking and chipping resulting from a defect in the acrylic surface material for a period of ten (10) years from the purchase date.

### 3 YEARS PUMP • 5 YEARS BLOWER • 2 YEARS PARTS

**PLUMBING AND EQUIPMENT:** Vita Bath warrants factory installed plumbing parts and fittings, and electrical components to be free from defect in materials and workmanship for a period of two (2) years from the purchase date, a period of three (3) years from the purchase date for the pump, and a period of five (5) years from the purchase date for the blower.

### EXTENT OF WARRANTY/ RESPONSIBILITY OF PURCHASER

This warranty applies only to original purchaser of the VITA BATH. Warranty Card must be signed and sent to VITA BATH within ten (10) days of purchase to activate warranty. Original purchaser must establish, by dated sales slip, invoice or delivery receipt, the date of purchase. The warranty applies to VITA BATHS manufactured after February 1, 1993.

### WARRANTY PERFORMANCE

In the event of any defect in workmanship or materials covered under the terms of the "Bath Shell" warranty, VITA BATH will repair the defect and will be responsible for the labor cost incurred by its agent in doing so. Travel, trip or mileage costs incurred by the authorized agents are not covered under this warranty. VITA BATH, at its sole option, may elect to replace the defective bath. All costs involved in replacing the unit are not covered under this warranty.

In the event of any malfunction or defect covered under the terms of the "Plumbing and Equipment" warranty, VITA BATH will repair or replace the defective item for a period of two (2) years from the purchase date for parts, a period of three (3) years from the purchase date for the pump, a period of five (5) years from the purchase date for the blower. Labor cost to repair a VITA BATH is covered for a period of ninety (90) days and must be performed by an authorized agent of VITA BATH. The purchaser is responsible to provide adequate access to the equipment and plumbing. Any labor costs attributed to removing decking or any other obstacle to gain easy access to the equipment or plumbing are not covered. Travel, trip or mileage costs incurred by the authorized agent for in-home service are not covered under this warranty.

Written notice of any malfunction or defect must be given within ten (10) days of the time it is discovered, to

VITA BATH, 2320 NW 147th Street, Miami, Florida 33054. VITA BATH reserves the right to inspect the malfunction or defect on location.

### RESPONSIBILITIES OF OTHERS

Inspecting the unit prior to installation is the responsibility of the installer or building contractor who acts on behalf of the user. They are responsible for ensuring the unit is free of defect or damage. Notices are placed on and in the unit and on the shipping carton advising the installer of this responsibility. In the event of a problem, the unit must not be installed. The Company is not responsible for failures or damage that could have been discovered, repaired, or avoided by proper inspection and testing prior to installation.

Damage occurring in transit is the responsibility of the carrier. The user or installer MUST open the crate and inspect the unit for damage when it is delivered. If damage is discovered, it must be reported immediately to the seller and the carrier in writing, and an inspection requested. Failure of the carrier to respond should be reported to the seller and the carrier. Your freight claims should be filed promptly thereafter.

### LIMITATIONS AND EXCLUSIONS

This warranty does not cover any claim arising from abuse, misuse, negligence, accident, improper installation or operations on the part of the purchaser. This warranty is void if the VITA BATH is subject to alteration, or if repairs are attempted by anyone other than an authorized agent of VITA BATH. This warranty does not extend to plumbing or components installed by dealers, installers or by any party other than VITA BATH.

VITA BATH will not be liable for loss of use of the VITA BATH, inconvenience, or any other incidental or consequential costs, expense or damages. Please note that some states do not allow the exclusion or limitation of incidental damages.

### DISCLAIMER

Except as expressly provided, there shall be no warranty or obligation, express or implied, oral or statutory. No dealer or other person has the authority to make any warranties or representations concerning VITA BATH or its products. In no event shall VITA BATH be held responsible for any such warranties or representations.

### OTHER RIGHTS

This warranty gives you specific legal rights, and you may have other rights which may vary from state to state.

### TECHNICAL SERVICE

Contact the retail seller or the local authorized warranty service center. If you do not know who your local representatives are, contact VITA BATH Service Department at the address listed below, or call (305) 685-5739 Ext. 391.

## VITA BATH

A Division of DM Industries, Ltd.  
2320 N.W. 147th Street, Miami, Florida 33054



**IMPORTANT: READ AND SAVE THESE INSTRUCTIONS.**

**INSTALLER: SAVE INSTALLATION INSTRUCTIONS WITH HOMEOWNER**

**HOMEOWNER: KEEP INSTALLATION INSTRUCTIONS FOR FUTURE REFERENCE**

**Please leave owners manual with warranty.  
If you have any problems or questions during installation,  
please call technical service at  
Ext 391  
Nationwide: 1.800.848.2772  
or  
Miami-Dade County, Fl: 305.685.5739**

**Record the numbers here for handy reference:**

**Model No.** \_\_\_\_\_

**Serial No.** \_\_\_\_\_

**Date of Purchase** \_\_\_\_\_



Manufactured by  
**VitaBath**  
2320 NW 147 Street  
Miami, Florida 33054

